



EWH5500 / EWH9600

Garage & Utility Electric Heater

Installation Instructions and Operator's Manual

WARNING! IF THE INFORMATION IN THIS MANUAL IS NOT FOLLOWED EXACTLY, A FIRE MAY RESULT CAUSING PROPERTY DAMAGE, PERSONAL INJURY OR LOSS OF LIFE.



Intertek

Made in China

Comfort Home Products, Inc.
12256 William Penn Hwy, Ste A
Huntingdon, PA 16652

DURA HEAT PHONE NUMBER: (800) 776-9425
<http://www.worldmktng.com>

FOR YOUR SAFETY
DO NOT STORE
OR USE GASOLINE OR
OTHER FLAMMABLE VAPORS
OR LIQUIDS
IN THE VICINITY OF THIS OR
ANY OTHER APPLIANCE

This heater should be installed by qualified persons only and in accordance with the National Electric Code (Canadian Electrical Code in Canada) and all applicable local codes. Supply wiring must be copper and suitable for at least 75° C.

EWH5500- minimum 10 gauge SJO or SJTO copper type wiring required

EWH9600- minimum 6 gauge SJO or SJTO copper type wiring required.



CALIFORNIA RESIDENTS ONLY-WARNING:

This product contains chemicals including di(2-ethylhexyl)phthalate (DEHP), which is known to the State of California to cause cancer and reproductive harm. For more information, go to: www.P65Warnings.ca.gov

UL 2021. FIXED AND LOCATION –DEDICATED ELECTRIC ROOM HEATERS

DO NOT DISCARD THIS MANUAL

CUSTOMER: PLEASE RETAIN THIS MANUAL FOR FUTURE USE

IMPORTANT INSTRUCTIONS

PLEASE READ AND SAVE THESE IMPORTANT SAFETY INSTRUCTIONS

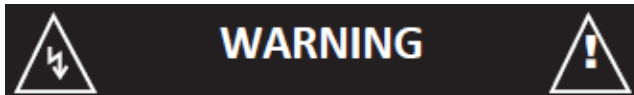
WHEN USING ELECTRIC APPLIANCES, BASIC PRECAUTIONS SHOULD ALWAYS BE FOLLOWED TO REDUCE THE RISK OF FIRE, ELECTRIC SHOCK, AND INJURY TO PERSONS, INCLUDING THE FOLLOWING:

1. Read all instructions before using this heater.
 2. This heater is hot when in use. To avoid burns, do not let bare skin touch hot surfaces. If provided, use handles when moving this heater. Keep combustible materials, such as furniture, pillows, bedding, papers, clothes and curtains at least 3 feet (0.9m) from the heater.
 3. Extreme caution is necessary when any heater is used by or near children, pets or invalids and whenever the heater is left operating unattended.
 4. Do not operate any heater with a damaged cord or plug or after the heater malfunctions, has been dropped or damaged in any manner. Disconnect power at service panel and have heater inspected and or repaired by a qualified service person.
 5. Do not use outdoor.
 6. Under no circumstances should this appliance be modified. Parts having to be removed for servicing must be replaced prior to operating this appliance again.
 7. This heater is intended for comfort heating applications and not intended for use in special environments. Do not use in damp or wet locations such as marine or greenhouse or in areas where corrosive or chemical agents are present.
 8. To disconnect heater, first turn controls to off, and turn off power to heater circuit at main disconnect panel.
 9. Do not insert or allow foreign objects to enter any ventilation or exhaust opening as this may cause an electrical shock or fire, or damage the heater.
 10. To prevent a possible fire, do not block air intakes or exhaust in any manner. Do not use on soft surfaces, like a bed, where openings may become blocked.
 11. This appliance has hot and arcing or sparking parts inside. Do not use it in areas where gasoline, paint or flammable liquids are used or stored.
 12. Use this heater only as described in this manual. Any other use not recommended by the manufacturer may cause fire, electric shock, or injury to persons.
 13. This heater is not to be used as a portable unit and or have a cord and plug installed. (HARD WIRED ONLY)
 14. This heater is provided with automatic resetting thermal limit and an alarm beeper to alert user if heater has overheated. If the alarm has activated, immediately turn off the heater and inspect and remove any objects around heater that may have blocked the airflow or otherwise caused the heater to overheat. Do not continue to use heater if it repeatedly overheats and activates the alarm. **DO NOT OPERATE THE HEATER WITH THE ALARM SOUNDING (FLASHING).**
- CAUTION** - Once heater has cycled off on the thermal limit, the heater will not return to operation until the user restarts and reprograms the control. Therefore, this unit is not recommended for freeze protection applications.
15. When installing, see **INSTALLATION INSTRUCTIONS** for additional warnings and precautions.
 16. For safe and efficient operation, and to extend the life of your heater, keep your heater clean - See **MAINTENANCE INSTRUCTIONS**.

SAVE THESE INSTRUCTIONS

SPECIFICATIONS (All Specifications -5%/-10% tolerance)

Model No	Volts/Hertz	Amps	Watts	BTU/HR	Phase	Minimum Circuit
EWH5500	240V/60HZ	21	5000	17060	1	30
EWH9600	240V/60HZ	42	10000	34120	1	50



To prevent a possible fire, injury to persons or damage to the heater, adhere to the following:

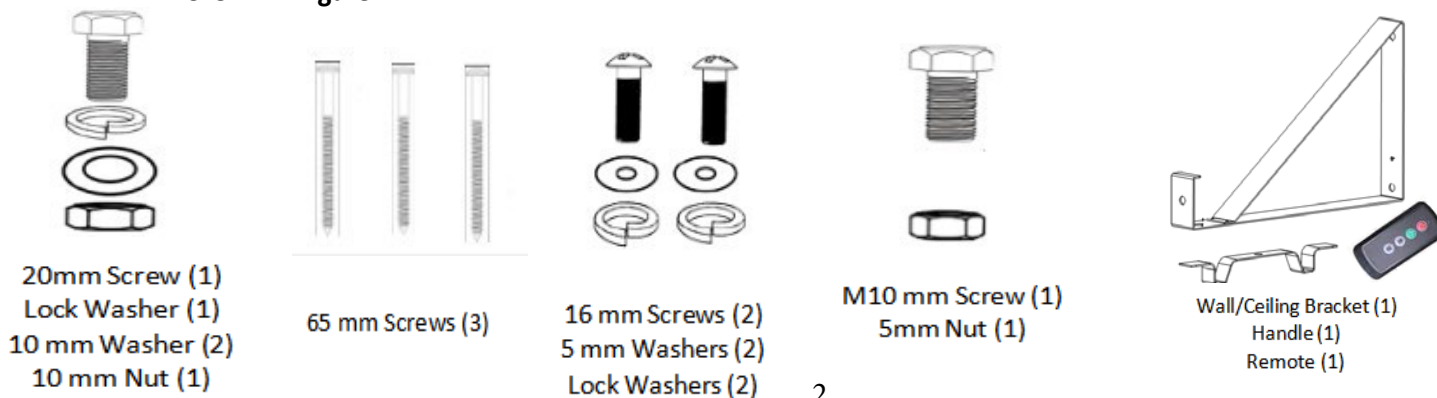
1. Disconnect all power coming to heater at main service panel before wiring or servicing.
2. All wiring procedures and connections must be in accordance with the National and Local Codes having jurisdiction and the heater must be grounded.
3. Verify the power supply voltage coming to heater matches the ratings as shown on the heater nameplate.

CAUTION: ENERGIZING HEATER AT A VOLTAGE GREATER THAN THE VOLTAGE PRINTED ON THE NAMEPLATE WILL DAMAGE THE HEATER AND VOID THE WARRANTY AND COULD CAUSE A FIRE.

4. CAUTION: High temperature, risk of fire, keep electrical cords, drapery, furnishings, and other combustibles at least 3 feet (0.9 m) from front of heater. Do not install heater behind doors, below towel racks, or in an area where it is subject to being blocked by furniture, curtains or storage materials. Hot air from the heater may damage certain fabrics and plastics.
5. To reduce the risk of fire do not store or use gasoline or other flammable vapors and liquids in the vicinity of the heater.
6. When heater is to be wall or ceiling mounted, the anchoring provision must be sufficient strength to support the total weight of the heater plus the weight of the mounting provisions. Failure to properly secure the supporting members of the building structure could allow the heater to fall.
7. The following minimum clearances must be maintained: 30° Tilted, Bottom of Heater to Floor: 6' (1.8 M) minimum, 11' (3.3 M) recommended maximum Horizontal Airflow, Bottom of Heater to Floor: 6' (1.8 M) minimum, 8' (2.4 M) recommended maximum Side of heater to adjacent wall: 6" (13 mm)
8. Do not use this heater for drying out paint, plaster, sawdust and drywall sanding dust as this will permanently damage the heater and must be kept out of the heater.

Unpacking Your New Heater: Remove heater from box, locate parts bag in packing material, and inspect to make sure heater is not damaged or missing parts. If damaged or parts are missing, call our Technical Service Hotline at 1-800-776-9425 for assistance. Do not return to store where purchased until you first call the above number for assistance.

HARDWARE INCLUDED: Figure 1



INSTALLATION INSTRUCTIONS

TOOLS NEEDED:

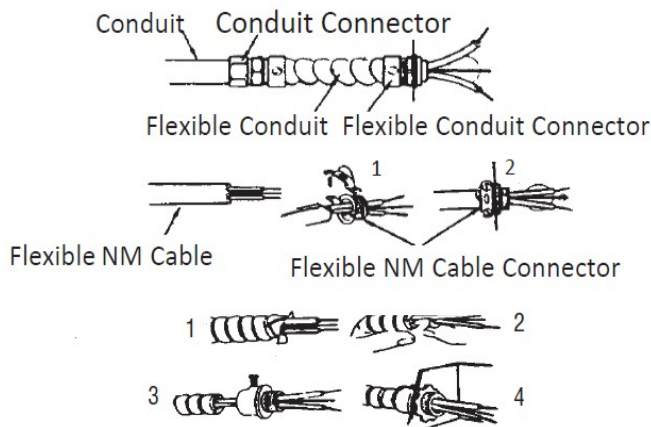
- Phillips head screwdriver
- Power Drill
- The remote control is powered by 2 AAA batteries. Batteries are NOT included
- 5/32 in. or 4 mm drill bit
- Stud Finder

HARDWARE REQUIRED FOR WIRING HEATER:

- Adequate gauge and length of copper wire (2 power conductors plus ground) suitable for application to route electrical panel to heater
- Suitable Junction Box and connectors as required for application
- Appropriate size wire nuts for connection branch circuit wires to pigtails.
- A length of flexible conduit (or as required by the NEC and local codes) to route power to heater.

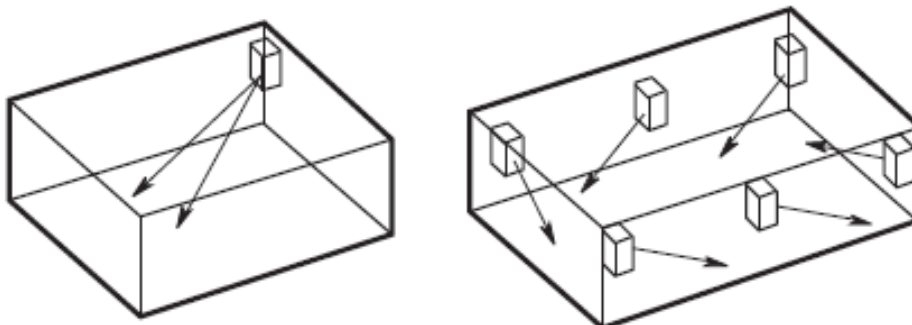
NOTE: Hardware supplied is intended for installation into wood framing only. If installation into other type of construction, additional hardware will be required for correct installation.

CONNECTORS, CABLE AND HARDWARE USED TO WIRE THE HEATER: Figure 2



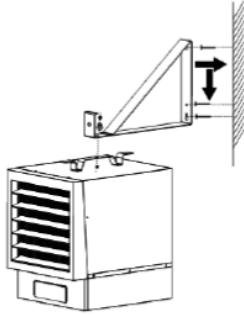
LOCATING THE HEATER: Figure 3

The heater should be installed out of traffic areas and at least 6' off the floor. (8" above floor in Canada) The direction of air flow should not be restricted (ie: by columns or machinery) and the air flow should wipe exposed walls, rather than blowing directly at them. When more than one heater is used in an area, the heaters should be arranged so that the air discharge of each heater supports the air flow of the others to provide best circulation of warm air, as indicated in the Figure below.



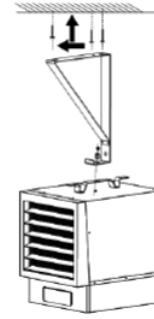
INSTALLATION INSTRUCTIONS

MOUNTING: Figure 4

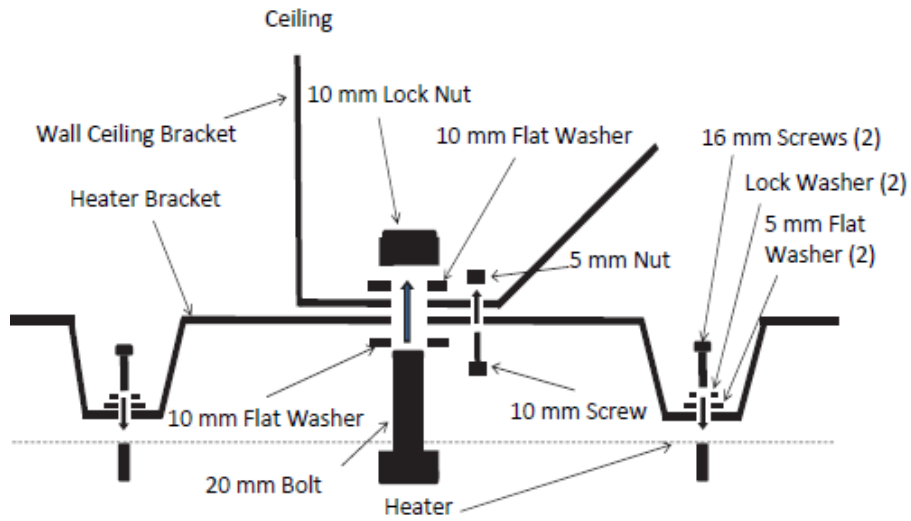


WALL MOUNTING

Figure 5

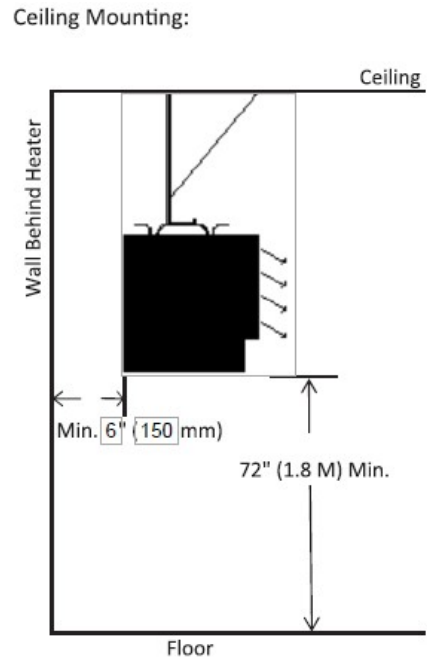
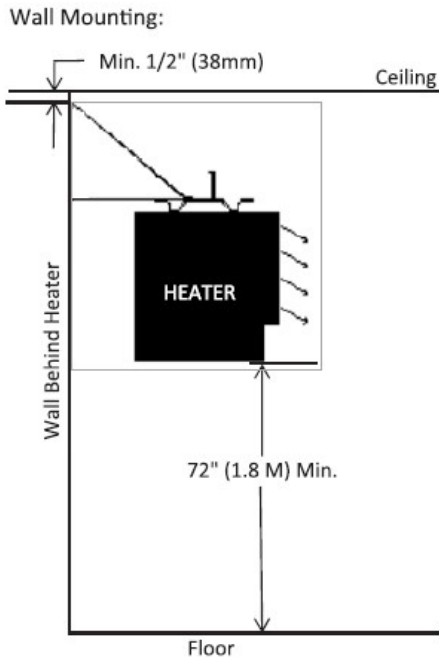


CEILING MOUNTING



DETAILED BRACKET ASSEMBLY ILLUSTRATION

MINIMUM CLEARANCES: Figure 6



INSTALLATION INSTRUCTIONS

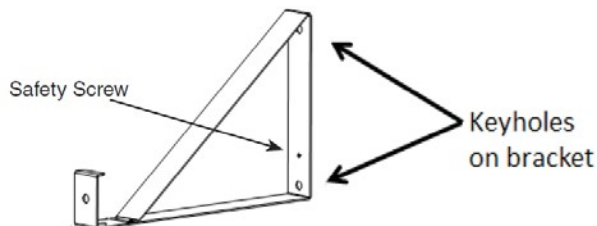
- **WARNING:** Fall Hazard - Heater must be attached to a joist with 3 screws (two at keyhole slots and third safety screw at center hole) to prevent heater from possibly falling. The screws provided with heater are intended for installing in wood framing only and not intended for metal joists or other types of construction. If installation into other type of construction, additional hardware will be required for correct installation. All hardware must be tightened securely.

HEATER MOUNTING:

1. Locate the wood stud or joist in ceiling and mark line in location for heater to be installed. **NOTE:** The wall/ceiling mounting bracket allows installation onto a wall or ceiling using the specific mounting holes and minimum clearances as shown in Fig 4, 5, 6 and 7.
2. Determine the desired location for mounting making sure the minimum clearances as noted in this manual are maintained and using the bracket as a template, mark the two keyhole locations on the wall or ceiling for drilling.

Figure 7

3. Use the 5/32 in. (4 mm) drill bit to pre-drill two holes for screws at the locations marked in step 2.
4. Install two 2.5" (65 mm) screws into the holes leaving approximately 1/8" of the screw offset from the wall. Ensure that both screws are inserted at least 1.5" into the stud or joist.



5. Hook the mounting bracket onto the wall (or ceiling) by fitting the two keyholes on the bracket over the two screws and pushing the bracket down into place. Mark the location of the center (3rd safety) hole onto the wall or ceiling.
6. Use the 5/32 in. (4 mm) drill bit to pre-drill a hole for the 3rd safety screw.
7. Attach the heater handle bracket to the heater using the two screws and washers preassembled to the top of the heater making sure the smaller hole in bracket faces the rear of heater. Remove the screws and then attach bracket making sure both screws are tight.
8. Attach the wall/ceiling bracket to the heater using the larger 20 mm (.8") bolt, two flat washers and lock nuts as shown in Fig. 5. To prevent rotation, a small M10 mm bolt and nut are provided in the parts bag. Assemble this smaller screw into the small hole through wall bracket and heater bracket as shown in Fig. 5. and securely tighten both bolts.
9. Attach the heater and mounting bracket assembly to the wall (or ceiling):

CAUTION - The keyhole slots are provided to assist in the installation by temporarily supporting the heater until the third safety screw is installed into the 3rd hole in bracket. Failure to install the 3rd safety screw in the center hole location in the bracket could allow the heater to fall.

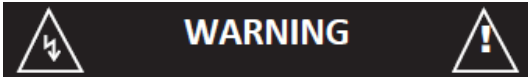
a. Hook bracket onto the two screws (installed at Step 4) by fitting heater and wall/ceiling bracket on the two screws through the keyholes on the bracket and pushing the bracket into place.

b. Insert the third 2.5" (65 mm) safety screw through the center hole on the bracket and into the pre-drilled hole (Step 6) in the wall or ceiling.

c. Tighten all three screws to secure the mounting bracket and heater assembly to the wall.

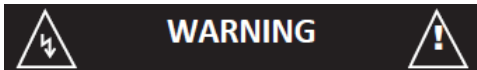
WIRING SUPPLEMENT FOR 220/240V

After heater has been properly mounted to the building structure and appropriate branch circuit wiring has been routed to the heater location in accordance with the National Electrical Code and local codes, the heater is now ready for the heater to be connected to the branch circuit.



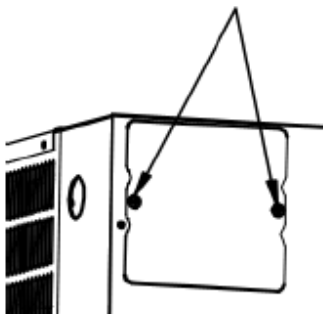
Risk of Electric Shock or Fire

Make sure electric power is disconnected at main electrical panel before attempting to connect heater to branch circuit. Verify branch circuit voltage is same as noted on heater nameplate. Connecting heater to a voltage greater than the heater nameplate rating could damage the heater and cause a fire.



This heater should be installed by qualified persons only and in accordance with the National Electric Code (Canadian Electrical Code in Canada) and all applicable local codes. Supply wiring must be copper and suitable for at least 75° C. EWH5500- minimum 10 gauge SJO or SJTO copper type wiring required EWH9600- minimum 6 gauge SJO or SJTO copper type wiring required

Figure 8: Wiring cover located at bottom of heater



Heater is provided with a 28.3mm hole into wiring compartment for routing of branch circuit conductors. Appropriate conduit and fittings must be provided for correct and safe installation.

1. Remove the field wiring cover located on bottom of heater by removing two screws. See Figure 8 for reference.
2. Bring branch circuit conductors to heater and into the heater box. Install appropriate cable clamp on the heater as shown in Figure 9.
3. Following the wiring diagrams in Figure 10 connect the supply wiring to the power block inside the wiring compartment.
 - Green pigtail - connect to earth ground
 - Black pigtail - connect to branch circuit L (1)
 - White pigtail - connect to branch circuit L (2)
4. Replace wiring box cover with two screws previously removed.
5. Adjust louvers to desired position; louvers are designed so that they cannot be completely closed. Do not attempt to defeat this safety feature.

Figure 9: Installing cable fitting to heater



Install appropriate cable clamp or fitting for supply being used.

Feed cable into fitting and clamp as shown leaving approximately 2" of cable inside heater for wire connections

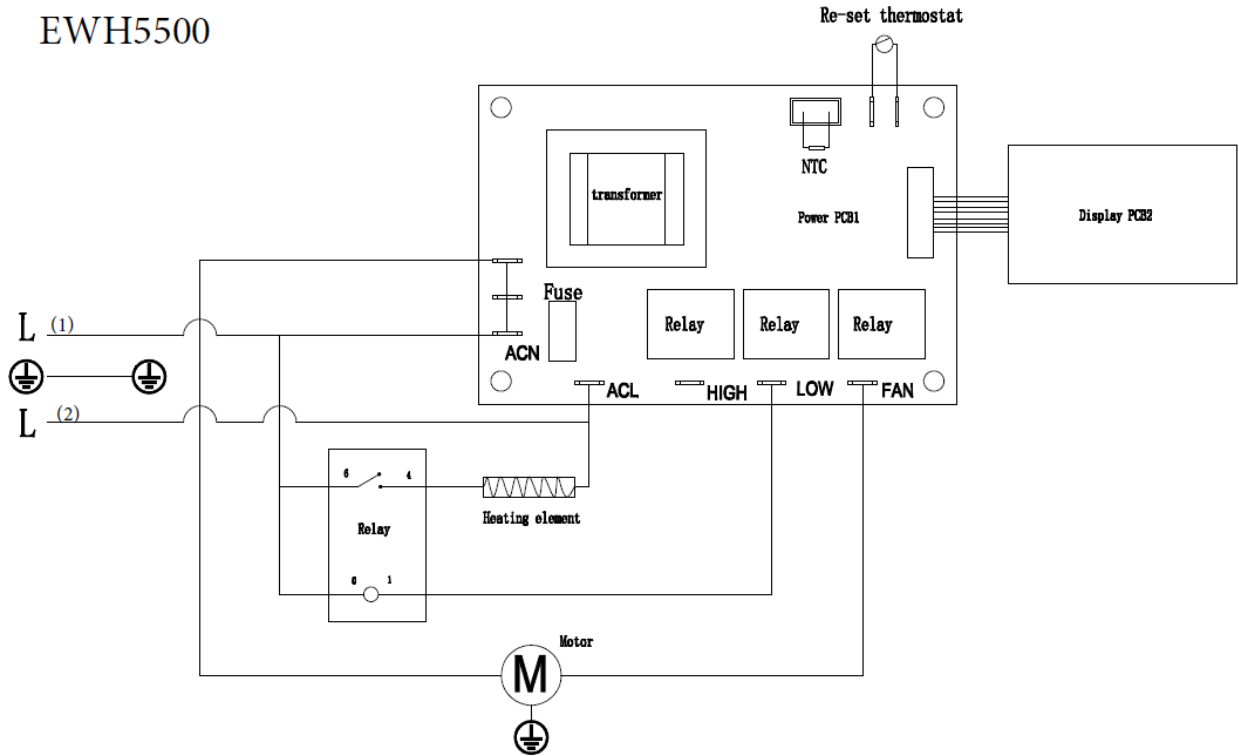
Figure 10 Removing wiring cover exposes wires
When wiring with 2 conductor cable with ground, the white wire must be marked black.



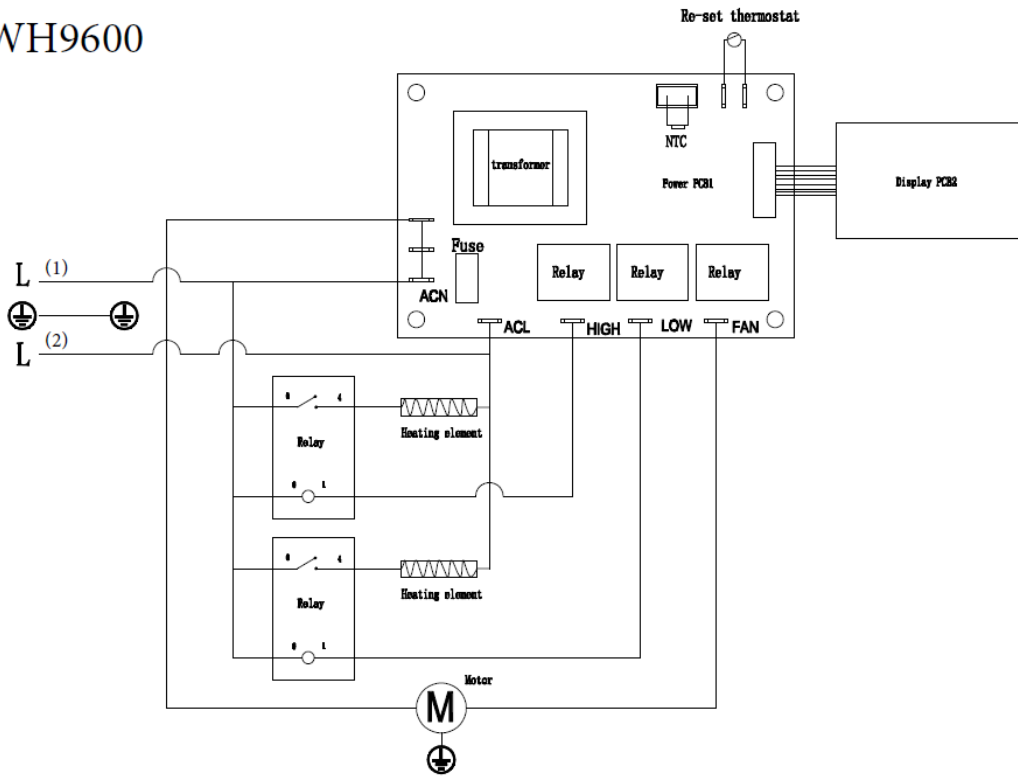
WIRING SUPPLEMENT FOR 220/240V

Wiring diagram for 5KW and 10KW

EWH5500

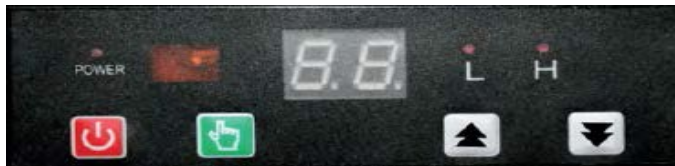


EWH9600



OPERATING INSTRUCTIONS

Heater Control Panel:



1. Heater must be properly installed and correctly wired before operation.
2. Turn power supply to heater "ON" at main switch panel.
3. Once the heater has power, the red POWER light will be on.
4. Pushing the red POWER button will turn the heater ON and OFF. When this button is pressed, the heater and fan will immediately come on and the digital display will flash approximately 5 seconds.
 - a. If the room temperature is lower than 65°F, the heater will continue to run until the room temperature reaches 65°F and the heater will then cycle on and off to maintain approximately this room temperature.
 - b. If the room temperature is higher than 65°F, the display window will show 65 and flash 5 times and the heater and fan will stop.
5. **Adjusting Power Level:** While the unit is ON, push the green mode button once. This will activate the power selection mode and the red light over the "Fan" or "Heat" will be flashing to show the current setting. To change from Heat to Fan or Fan to Heat, use the UP or DOWN Arrow buttons. After approximately 5 seconds the control will then be programmed for the selected output. (For model **EWH5500**)

Adjusting Power Level: While the unit is ON, push the green mode button once. This will activate the power selection mode and the red light over the "L" or "H" will be flashing to show the current setting. To change from High to Low or Low to High, use the UP or DOWN Arrow buttons. After approximately 5 seconds the control will then be programmed for the selected output. **Note: To save energy, the heater will automatically adjust the power output to low power when room temperature is 2°F below the set point temperature.** (For model **EWH9600**)
6. **Adjusting temperature:** While the heater is ON, push the green mode button twice. This will activate the temperature selection mode and the digital display will flash with the current setting. To adjust, use the UP or DOWN button until the desired temperature shows on the display. After 5 seconds the display will change back to displaying the room temperature.
7. **Setting Time On Feature: Note:** If this feature is not selected, the heater will continue to operate to maintain the desired temperature. This feature allows the heater to operate for only a predetermined time. While the heater is ON, push the green mode button three times. This will activate the timer mode and the display will flash with "0H". By pressing the UP or DOWN Arrow buttons, the display will show the number of hours the timer will allow the heater to remain on (1H-9H where 1H = 1 hour, and 9H = 9 hours). After 5 seconds, the controller will lock in the setting.
8. **Once the controller has been programmed, the heater will cycle on and off to maintain the desired room temperature. To help extend the life of the heater, after the heater has reached the desired temperature and the controller turns off the heating element, the fan will continue to operate for approximately 3 minutes to cool down the heater. This fan delay off feature also occurs when the heater POWER button is pushed to turn off the heater while it is heating. The fan will continue to run to cool down the heater.**
9. **To turn off the heater, push the red POWER button. If the heater is operating, the heater will turn off, but the fan will continue running for approximately 3 minutes to allow the heater to cool.**

OPERATING INSTRUCTIONS

NOTE: The first time you operate the unit, it may smoke slightly. This is due to the residual cleaning agents used to clean the element when the heater is manufactured. This is normal and does not indicate a problem with the unit. This condition will stop after the heater has been in operation for a few minutes.

Automatic Thermal Limit: This heater is equipped with a thermal limit which will automatically shut off the heater in the event of overheating. Should the thermal limit activate an ALARM will be activated. The alarm will be a beeping sound; the display will show "E3" and the red "POWER" light will flash. The cause of the overheating should be determined before further operation. As the heater cools, the thermal limit will automatically reset the display will show "E3" indicating the heater is non-operational. Should the unit overheat and activate the thermal limit, to return heater to operating mode will require user to press power button on remote or heater after allowing the heater to cool for 15-20 minutes user must reset control to desired wattage output and room temperature. Do not continue to use heater if it repeatedly overheats to cycle the safety thermal limit as this could lead to permanent damage to heater or a fire.

Automatic Fan Delay: The heater is provided with an automatic fan off delay. As the room ambient reaches the preset temperature level of the heater control will de-energize the heating element within the heater while the fan continues to run for approximately 3 minutes to allow the heater to cool.

MAINTENANCE

USER CLEANING INSTRUCTION:

1. Turn off power to heater
2. After the heater has cooled, a vacuum cleaner with brush attachment may be used to remove dust and lint from exterior surfaces of the heater including the grille opening. Compressed air may also be used to blow out dust from inside heater.
3. With a damp cloth, wipe dust and lint from grille and exterior surfaces. Be careful not to let the water enter the inside of appliance.
4. To protect the enclosure, don't splash water onto the heater, and never use solvents to clean the heater.
5. Return power to heater and check to make sure it is operating properly.

Maintenance Cleaning Instructions:

(To be performed only by Qualified Service Personnel)

At least annually, the heater should be cleaned and serviced by a qualified service person to assure safe and efficient operation. After completing the cleaning and servicing, the heater should be checked for proper operation.

The remote control is powered by 2 AAA batteries. These should be replaced periodically or at least annually.

TROUBLESHOOTING & WARRANTY

PROBLEM	CAUSE	SOLUTION
Fan stays on when heat shuts off.	1. Fan delay cycles On/Off until elements are cool	1. Heater is operating correctly.
Heating element does not glow red	1. Heating element is made of stainless steel and will not glow red to produce heat.	1. Heater is operating correctly.
Do not feel heat or air flow	1. No Power to heater 2. Desired room temperature reached. 3. Heater does not heat area in front of heater; it will disperse heat throughout room and heat entire space.	1. Check power connections / connect heater to power supply. 2. Thermostat will shut off once desired room temperature is reached. Heater is operating correctly. 3. Heater is operating correctly.

PORTABLE ELECTRIC HEATER WARRANTY

LIMITED WARRANTY:

A limited warranty is extended to the original purchaser of this heater and warrants against malfunction due to manufacturing defects for a period of (1) one year from the date of retail purchase. Please read and follow all details noted below.

CLAIMS HANDLED AS FOLLOWS:

1. **WITHIN 30 DAYS OF PURCHASE:**

Return to the place of purchase.

2. **AFTER 30 DAYS AND WITHIN THE 1 YEAR WARRANTY PERIOD:**

Contact our Customer Service Department at 1-800-776-9425.

You must have the model number, serial number and date of purchase. They will provide you with further instructions, which will include repair or replacement at our option.

CALL 1-800-776-9425 FOR SERVICE (9AM-5PM MON.-FRI.)

or EMAIL US AT techsupport@worldmktg.com

DUTIES OF THE OWNER:

This heating appliance must be operated in accordance with the written instructions furnished with this heater. This warranty shall not excuse the owner from properly maintaining this heater in accordance with the written instructions furnished with this heater. A bill of sale, cancelled check or payment record must be kept to verify purchase date and establish warranty period. Original carton should be kept in case of warranty return of unit.

TROUBLESHOOTING & WARRANTY

WHAT IS NOT COVERED:

1. Damage caused by misuse or use contrary to the owner's manual and safety guidelines.
2. Damage caused by a lack of normal maintenance.
3. Repair by an unauthorized person.
4. Damage caused by connection to an improper voltage.
5. Damaged caused by use outdoors.

LIMITATIONS:

This warranty does not imply or assume any responsibility for consequential damages that may result from the use, misuse, or the lack of routine maintenance of this heating appliance. A cleaning fee and the cost of parts may be charged for appliance failures resulting from lack of maintenance. This warranty does not cover claims, which do not involve defective workmanship or materials. FAILURE TO PERFORM GENERAL MAINTENANCE (INCLUDING CLEANING) WILL VOID THIS WARRANTY.

THIS LIMITED WARRANTY IS GIVEN TO THE PURCHASER IN LIEU OF ALL OTHER WARRANTIES, EXPRESSED OR IMPLIED, INCLUDING BUT NOT LIMITED TO THE WARRANTIES OF MERCHANTABILITY OF FITNESS FOR A PARTICULAR PURPOSE. THE REMEDY PROVIDED IN THIS WARRANTY IS EXCLUSIVE AND IS GRANTED IN LIEU OF ALL OTHER REMEDIES. IN NO EVENT WILL WORLD MARKETING OF AMERICA BE LIABLE FOR INCIDENTAL OR CONSEQUENTIAL DAMAGES.

Some states do not allow limitations on how long an implied warranty lasts, so the above limitation may not apply to you. Some states do not allow the exclusion or limitation of incidental or consequential damages so the above limitation or exclusion may not apply to you.

For your record, staple your sales receipt to this manual and record the following

DATE OF PURCHASE: _____

PLACE OF PURCHASE: _____

SERIAL NUMBER: _____

MODEL NUMBER: _____



EWH5500 / EWH9600

Espacio de trabajo forzado calentador de aire

Instrucciones de instalación y el Manual de Propietario

¡ADVERTENCIA! SI LA INFORMACION EN ESTE MANUAL no ES SEGUIDA EXACTAMENTE, UN RESULTADO del FUEGO mayo que CAUSA DAÑO de PROPIEDAD, HERIDA O PERDIDA PERSONALES DE la VIDA.



Intertek

Hencho in China

Comfort Home Products, Inc.
12256 William Penn Hwy, Ste A
Huntingdon, PA 16652

DURA HEAT PHONE NUMBER: (800) 776-9425
<http://www.worlddmktng.com>

PARA SU SEGURIDAD

No ALMACENE ni UTILICE
GASOLINA ni OTROS VAPORES de
FLAMABLE ni los LIQUIDOS EN LA
ECINDAD DE ESTE ni CUALQUIER
OTRO APARATO

Este calentador debe ser instalado solo por personas calificadas y de acuerdo con el Código Eléctrico Nacional (Código Eléctrico Canadiense en Canadá) y todos los códigos locales aplicables. El cableado de suministro debe ser de cobre y apto para al menos 75 °C.

EWH5500- minimum 10 gauge SJO or SJTO copper type wiring required

EWH9600- minimum 6 gauge SJO or SJTO copper type wiring required.



ADVERTENCIA SOLO PARA RESIDENTES DE CALIFORNIA:

Este producto contiene elementos químicos que incluyen di(2-etilhexil) ftalato (DEHP), el cual es conocido en el estado de California por provocar cáncer y daños en el sistema reproductivo. Para más información, vaya a: www.P65Warnings.ca.gov

UL 2021. FIXED AND LOCATION –DEDICATED ELECTRIC ROOM HEATERS

No DESECHE ESTE MANUAL - HOJA PARA el PROPIETARIO
CLIENTE: RETENGA POR FAVOR ESTE MANUAL PARA FUTURO USO

INSTRUCCIONES IMPORTANTES

LEA Y CONSERVE ESTAS INSTRUCCIONES DE SEGURIDAD IMPORTANTES AL USAR APARATOS ELÉCTRICOS, SE DEBEN TOMAR PRECAUCIONES BÁSICAS PARA REDUCIR EL RIESGO DE INCENDIO, DESCARGAS ELÉCTRICAS Y LESIONES A LAS PERSONAS, INCLUYENDO LO SIGUIENTE:

1. Lea todas las instrucciones antes de usar el calentador.
 2. Este calentador alcanza altas temperaturas cuando está en uso. Para evitar quemaduras, no permita que la piel descubierta haga contacto con superficies calientes. Si el modelo cuenta con manijas, utilícelas cada vez que deba mover el calentador. Mantenga todo material combustible, como muebles, almohadas, ropa de cama, papeles, ropa y cortinas, a una distancia de al menos 3 pies (1 metro) del calentador.
 3. Se debe tener suma precaución cuando se utiliza el calentador cerca de niños, mascotas o personas discapacitadas, y cuando queda funcionando sin supervisión.
 4. No opere ningún calentador que tenga un cable o enchufe dañado o después de que haya tenido un mal funcionamiento, se haya caído o dañado de alguna manera. Desconecte la alimentación en el panel de servicio y haga que un técnico calificado inspeccione y repare el calentador.
 5. No lo utilice al aire libre.
 6. Este aparato no se debe modificar en ninguna circunstancia. Las piezas que deben retirarse para ser reparadas deben reemplazarse antes de volver a utilizar este aparato.
 7. Este calentador está diseñado para aplicaciones de climatización y no para ser utilizado en entornos especiales. No lo use en lugares húmedos o mojados, como en el mar o en invernaderos, o en áreas donde haya presencia de agentes corrosivos o químicos.
 8. Para desconectar el calentador, primero apague los controles y desactive el circuito de alimentación del calentador en el panel de desconexión principal.
 9. No permita que objetos extraños entren en alguna abertura de ventilación, ya que podría producirse una descarga eléctrica o un incendio, o dañarse el calentador.
 10. Para evitar un posible incendio, no obstruya las entradas o salidas de aire. No lo use en superficies blandas, como una cama, donde podrían obstruirse las aberturas.
 11. Este aparato contiene piezas calientes que producen chispas o arcos eléctricos. No lo utilice en áreas donde se use o almacene combustible, pintura o líquidos inflamables.
 12. Use este calentador solo como se describe en este manual. Cualquier otro uso no recomendado por el fabricante puede provocar incendios, descargas eléctricas o lesiones personales.
 13. Este calentador no debe usarse como una unidad portátil y no se le debe colocar un cable y un enchufe. (SOLO CON CONEXIÓN DIRECTA)
 14. Este calentador cuenta con una protección térmica automática y con un sonido que alerta al usuario si el aparato se ha sobrecalentado. Si se activa la alarma, apague el calentador de inmediato e inspeccione y retire todo objeto que pueda haber obstruido el flujo de aire o que haya provocado el sobrecalentamiento. No siga usando el calentador si se sobrecalienta y activa la alarma de forma reiterada. **NO HAGA FUNCIONAR EL CALENTADOR SI LA ALARMA ESTÁ SONANDO (INTERMITENTE).**
- PRECAUCIÓN:** Cuando el calentador se apague debido a la protección térmica, no volverá a funcionar hasta que el usuario reinicie y re programe el control. Por lo tanto, esta unidad no se recomienda para aplicaciones de protección contra congelación.
15. Durante la instalación, consulte las **INSTRUCCIONES DE INSTALACIÓN** para conocer otras advertencias y precauciones.
 16. Para un funcionamiento seguro y eficiente, y para prolongar la vida útil de su calentador, mantenga la unidad limpia. Consulte las **INSTRUCCIONES DE MANTENIMIENTO**.

CONSERVE ESTAS INSTRUCCIONES

ESPECIFICACIONES (Todas las especificaciones tienen -5 %/-10 % de tolerancia)

Modelo No	Voltios/Hertz	Amperios	Vatios	BTU/HR	Phase	Circuito mínimo
EWH5500	240V/60HZ	21	5000	17060	1	30
EWH9600	240V/60HZ	42	10000	34120	1	50



Para evitar un posible incendio, lesiones a personas o daños al calentador, respete lo siguiente:

1. Desconecte todo suministro eléctrico que llegue al calentador en el panel de servicio principal antes de realizar el cableado o mantenimiento.
2. Todas las conexiones y procedimientos de cableado deben respetar los códigos locales y nacionales que tengan jurisdicción. Además, el calentador debe estar conectado a tierra.
3. Verifique que el voltaje de la fuente de alimentación que ingresa al calentador coincida con los parámetros que figuran en la placa de identificación del calentador.

PRECAUCIÓN: SI SE ALIMENTA EL CALENTADOR CON UN VOLTAJE MAYOR QUE EL QUE FIGURA EN LA PLACA, SE DAÑARÁ EL CALENTADOR, SE ANULARÁ LA GARANTÍA Y PODRÍA ORIGINARSE UN INCENDIO.

4. **PRECAUCIÓN:** Alta temperatura, riesgo de incendio. Mantenga los cables eléctricos, cortinas, muebles y otros materiales combustibles a una distancia de al menos 3 pies (1 metro) del frente del calentador. No coloque el calentador detrás de puertas, debajo de toalleros o en un área donde puedan obstruirlo muebles, cortinas o materiales de almacenamiento. El aire caliente que emite el calentador puede dañar ciertas telas y plásticos.

5. Para reducir el riesgo de incendio, no almacene ni use combustible u otros vapores y líquidos inflamables cerca del calentador.

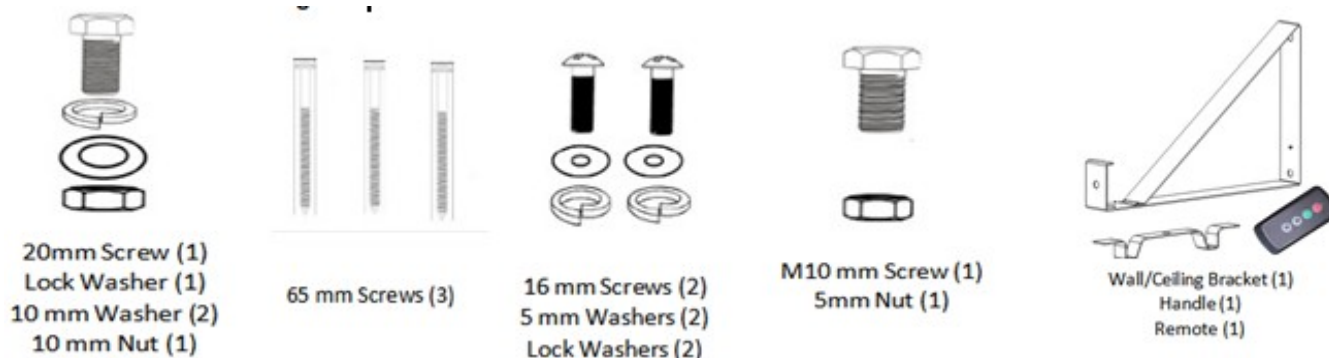
6. Cuando el calentador deba colocarse en la pared o el techo, el anclaje debe ser lo suficientemente resistente para soportar el peso total del calentador más el peso de los elementos de montaje. Si no se fijan adecuadamente los soportes a la estructura del edificio, el calentador se podría caer.

7. Se deben mantener las siguientes distancias mínimas: 30° inclinado, Entre la parte inferior del calentador y el piso: 6' (1,8 m) como mínimo, 11' (3,3 m) máximo de flujo de aire horizontal recomendado, Entre la parte inferior del calentador y el piso: 6' (1,8 m) como mínimo, 8' (2,4 m) máximo recomendado Entre el costado del calentador y la pared adyacente: 6" (13 mm)

8. No use este calentador para secar, ya que el polvo del lijado de pintura, yeso, aserrín y paneles de yeso dañará permanentemente el calentador.

Desembalaje de su nuevo calentador: Retire el calentador de la caja, busque la bolsa de piezas en el material de empaque e inspecciónela para asegurarse de que no falten piezas o estén dañadas. Si faltan piezas o están dañadas, llame a nuestra línea directa de servicio técnico al 1-800-776-9425 para obtener ayuda. No regrese a la tienda donde compró el calentador sin primero llamar al número anterior para obtener ayuda.

MATERIALES INCLUIDOS: Figura 1:



INSTRUCCIONES DE INSTALACIÓN

HERRAMIENTAS NECESARIAS:

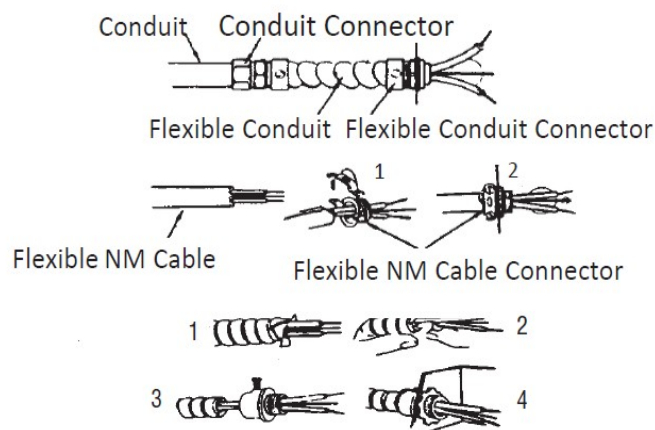
- Destornillador Phillips
- Taladro eléctrico
- El control remoto funciona con 2 pilas AAA. Las pilas NO están incluidas
- Broca de 5/32 pulgadas o 4 mm
- Detector de montantes

MATERIAL NECESARIO PARA EL CABLEADO DEL CALENTADOR:

- Cable de cobre con calibre y longitud adecuados (2 conductores de alimentación más tierra) apropiados para la aplicación a fin de conectar el tablero eléctrico con el calentador
- Caja de empalmes y conectores adecuados según lo requiera la aplicación.
- Capuchones de conexión del tamaño adecuado para conectar cables del circuito derivado a cables flexibles.
- Un tramo de conducto flexible (o lo que exija el Código Eléctrico Nacional y los códigos locales) para encaminar la corriente hacia el calentador.

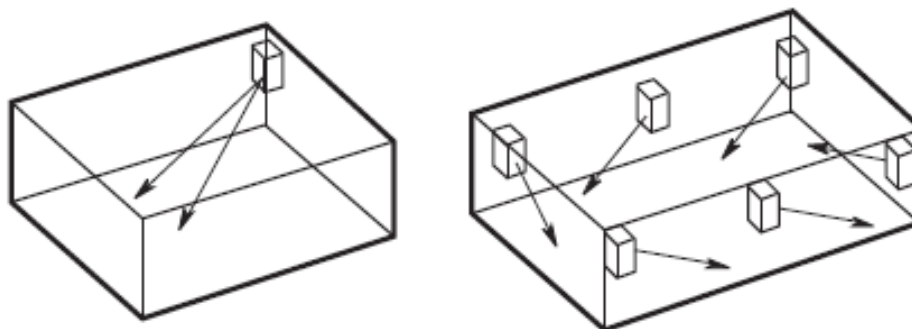
NOTA: El material suministrado está destinado únicamente a la instalación en estructuras de madera. Si se instala en otro tipo de construcción, se requerirán herrajes adicionales para una instalación correcta.

CONECTORES, CABLE Y MATERIAL UTILIZADOS PARA CONECTAR EL CALENTADOR: Figura 2



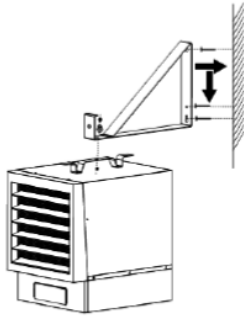
UBICACIÓN DEL CALENTADOR: Figura 3

El calentador debe instalarse fuera de las áreas de tránsito y al menos a 6' del piso (8" por encima del piso en Canadá). No se debe obstaculizar la dirección del flujo de aire (con columnas, maquinarias, etc.) y el flujo de aire debería acariciar las paredes expuestas, en lugar de soplar directamente sobre ellas. Cuando se usa más de un calentador en un área, deben colocarse de modo que la descarga de aire de cada uno sea compatible con el flujo de aire de los otros a fin de proporcionar la mejor circulación de aire caliente, como se indica en la siguiente figura.



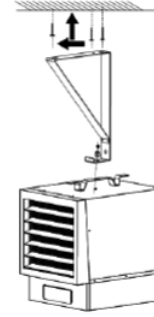
INSTRUCCIONES DE INSTALACIÓN

MONTAJE: Figura 4



MONTAJE EN PARED

Figura 5



MONTAJE EN TECHO

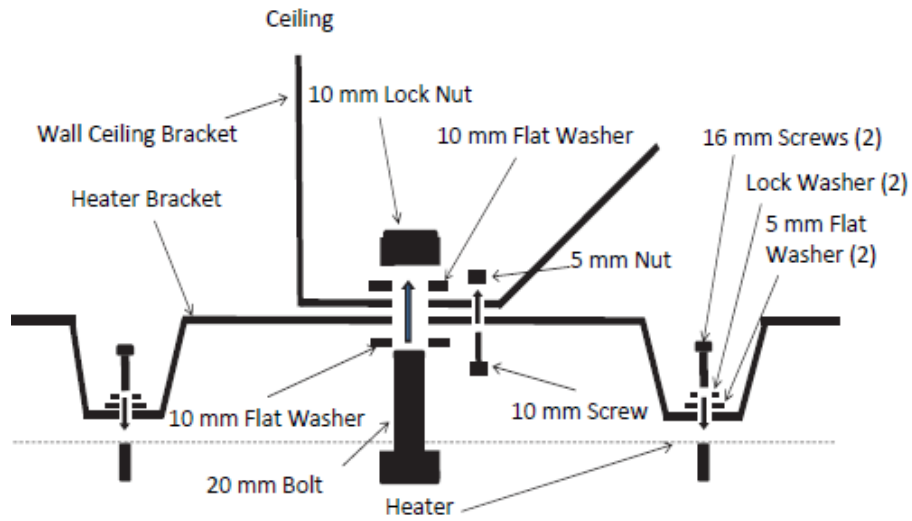
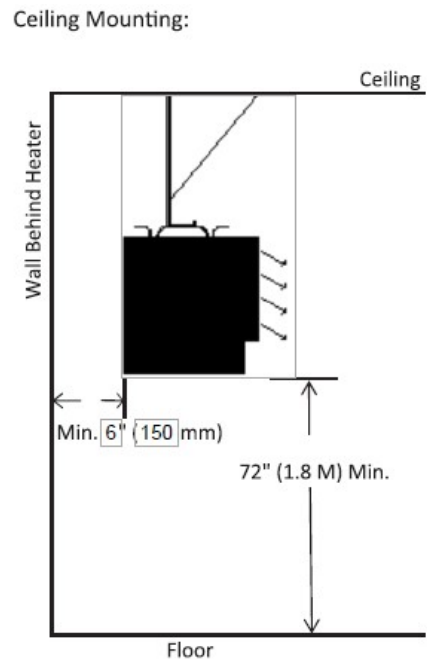
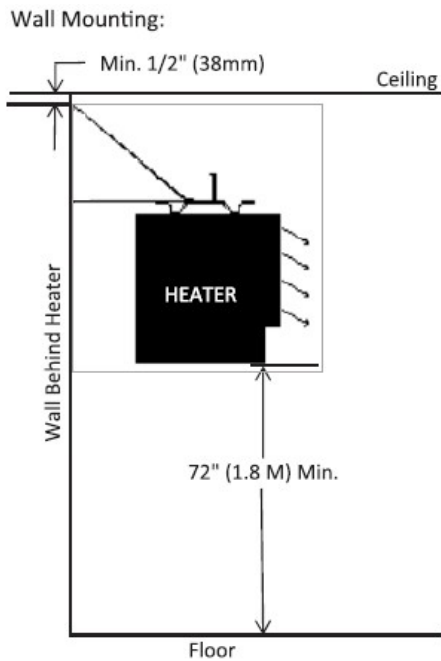


ILUSTRACIÓN DETALLADA DEL SOPORTE

DISTANCIAS MÍNIMAS: Figura 6



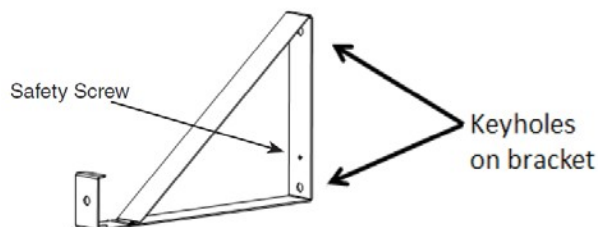
INSTRUCCIONES DE INSTALACIÓN

ADVERTENCIA: Peligro de caída: El calentador debe sujetarse a una viga con 3 tornillos (dos en los orificios de los extremos y el tercer tornillo de seguridad en el orificio central) para evitar que se caiga. Los tornillos provistos con el calentador están diseñados para ser colocados solo en estructuras de madera y no en vigas metálicas u otros tipos de construcción. Si se instala en otro tipo de construcción, se requerirán herrajes adicionales para una instalación correcta. Todos los herrajes deben ajustarse firmemente.

MONTAJE DEL CALENTADOR:

1. Localice el montante de madera o la viga en el techo y marque una línea en la ubicación donde se colocará el calentador. NOTA: El soporte de montaje en pared/techo permite la colocación en una pared o techo utilizando los orificios de montaje específicos y las distancias mínimas como se muestra en las Fig. 4, 5, 6 y 7.
2. Determine la ubicación deseada para el montaje asegurándose de respetar las distancias mínimas indicadas en este manual. Utilice el soporte como guía, marque la ubicación de los dos orificios externos en la pared o el techo para realizar las perforaciones.

Figura 7



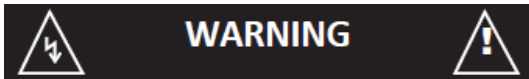
3. Utilice la broca de 5/32 pulgadas (4 mm) y perforé dos orificios para tornillos en los lugares que se marcaron en el paso 2.
4. Coloque dos tornillos de 2,5" (65 mm) en los orificios. Dejando aproximadamente 1/8" del tornillo fuera de la pared. Asegúrese de que ambos tornillos se hayan introducido al menos 1,5" en la viga o montante.
5. Enganche el soporte de montaje en la pared (o el techo) colocando los dos orificios sobre los dos tornillos y empujando el soporte para acomodarlo en su lugar. Marque la ubicación del orificio central (tercera seguridad) en la pared o el techo.
6. Use la broca de 5/32 pulgadas (4 mm) para perforar previamente un orificio para el tercer tornillo de seguridad.
7. Fije el soporte de la manija al calentador usando los dos tornillos y arandelas premontados en la parte superior del calentador asegurándose de que el orificio más pequeño del soporte quede orientado hacia la parte trasera del calentador. Quite los tornillos y luego fije el soporte asegurándose de que ambos tornillos queden ajustados.
8. Fije el soporte de pared/techo al calentador utilizando el perno más grande de 20 mm (0,8"), dos arandelas planas y contratuercas como se muestra en la Fig. 5. Para evitar una rotación, se proporciona un pequeño tornillo y tuerca M10 mm en la bolsa de piezas. Coloque este tornillo en el orificio pequeño a través del soporte de pared y el soporte del calentador como se muestra en la Fig. 5 y ajuste firmemente ambos pernos.
9. Fije el soporte de montaje y calentador a la pared (o techo):

PRECAUCIÓN: - Las ranuras externas sirven para soportar temporalmente el calentador hasta que se coloca el tercer tornillo de seguridad en el tercer orificio del soporte. Si no se coloca este tornillo en el orificio central del soporte, el calentador podría caerse.

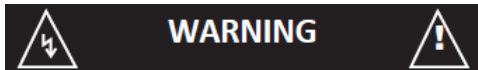
- a. Enganche el soporte en los dos tornillos (los del Paso 4) colocando el calentador y el soporte de pared/techo en los dos tornillos a través de los orificios del soporte y empujando el soporte para acomodarlo en su lugar.
- b. Coloque el tercer tornillo de seguridad de 2,5" (65 mm) en el orificio central del soporte y en el orificio perforado previamente (Paso 6) en la pared o el techo.
- c. Ajuste los tres tornillos para afirmar el soporte de montaje y el calentador a la pared.

WIRING SUPPLEMENT FOR 220/240V

Después de que el calefactor se haya montado correctamente en la estructura del edificio, y de que se haya fijado correctamente el circuito el cableado de derivación hacia el calefactor de acuerdo con el Código Eléctrico Nacional y los códigos locales, el calefactor ya está listo para ser conectado al circuito de derivación.

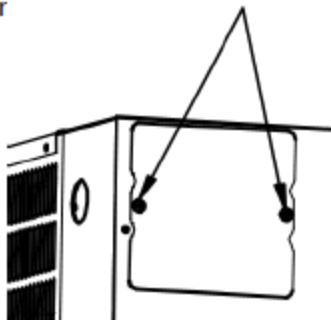


Riesgo de descarga eléctrica o incendio Asegúrese de que la energía eléctrica esté desconectada en el panel eléctrico principal, antes de intentar conectar el calefactor al circuito de derivación. Verifique que el voltaje del circuito de derivación sea el mismo que se indica en la placa de identificación del calefactor. Si conecta el calefactor a un voltaje mayor al clasificado en la placa de identificación, podría dañar el calefactor y provocar un incendio.



Este calefactor debe ser instalado solo por personas calificadas, y de acuerdo con el Código Eléctrico Nacional (Código Eléctrico Canadiense en Canadá) y todos los códigos locales aplicables. El cableado de alimentación debe ser de cobre y adecuado para al menos 75 °C. EWH5500: requiere cables de cobre con un calibre mínimo de 10, tipo SJO o SJTO . EWH9600: requiere cables de cobre con un calibre mínimo de 6, tipo SJO o SJTO.

Figure 8: cubierta de cableado ubicada en la parte inferior del calefactor



El calentador está provisto de un orificio de 28.3 mm en el compartimiento de cableado para enrutar los conductores del circuito derivado. Se deben proporcionar conductos y accesorios adecuados para una instalación correcta y segura.

1. Retire la cubierta del cableado de campo ubicada en la parte inferior del calentador quitando los dos tornillos. Ver Figura 8 para referencia.
2. Lleve los conductores del circuito derivado al calentador y dentro de la caja del calentador. Instale la abrazadera de cable adecuada en el calentador como se muestra en la Figura 9.
3. Siguiendo los diagramas de cableado de la Figura 10, conecte el cableado de alimentación al bloque de alimentación dentro del compartimiento de cableado.
 - Coleta verde - conecta a tierra
 - Cable flexible negro: conéctelo al circuito derivado L (1)
 - Coleta blanca: conecte al circuito derivado L (2)
4. Vuelva a colocar la cubierta de la caja de cableado con dos tornillos que retiró anteriormente.
5. Ajuste las persianas a la posición deseada; Las rejillas están diseñadas para que no puedan cerrarse por completo. No intente vencer esta característica de seguridad.

Figure 9: Instalación de la conexión del cable al calentador



Instale abrazaderas o accesorios de cableado apropiados para la energía eléctrica utilizada.

Introduzca el cable en la abrazadera o el accesorio tal como se muestra, dejando aproximadamente 2" de cable dentro del calefactor para la conexión del cableado.

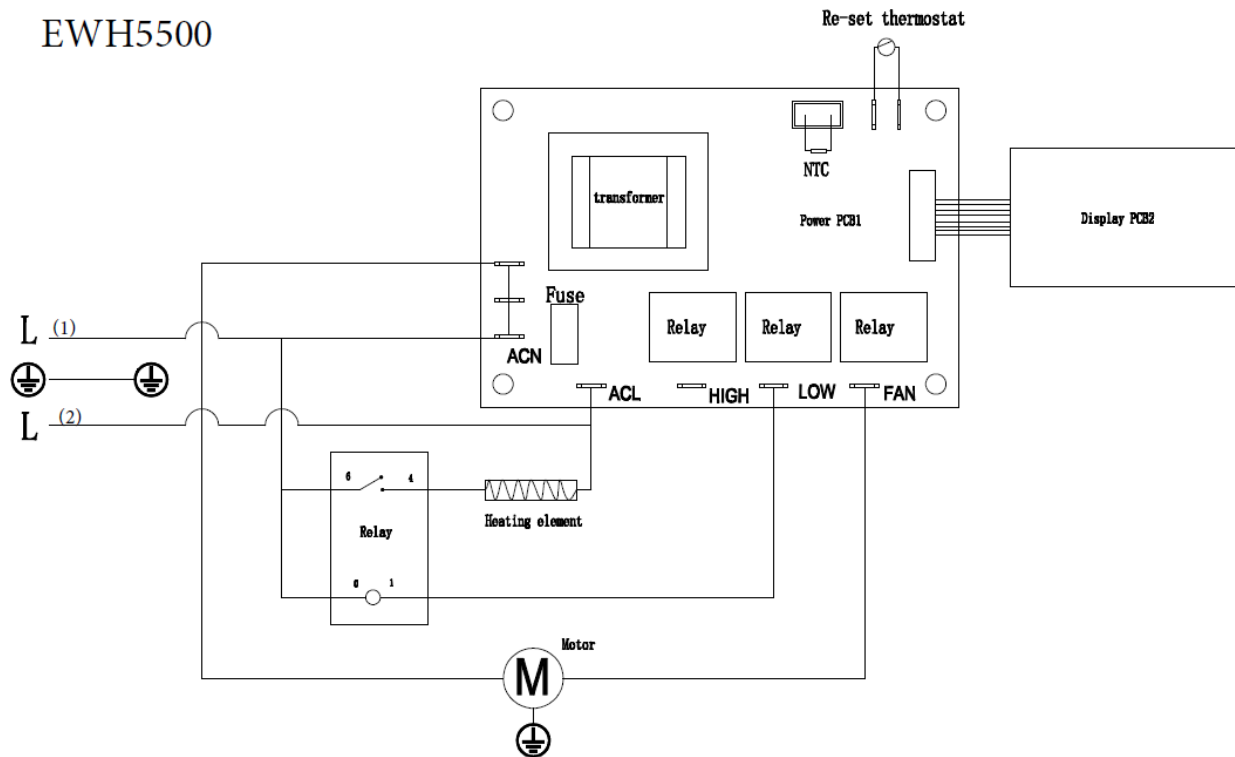
Figura 10 - Al retirar la cubierta del cableado se exponen los cables. Al conectar a tierra un cable de 2 conductores, el cable blanco debe marcarse como negro.



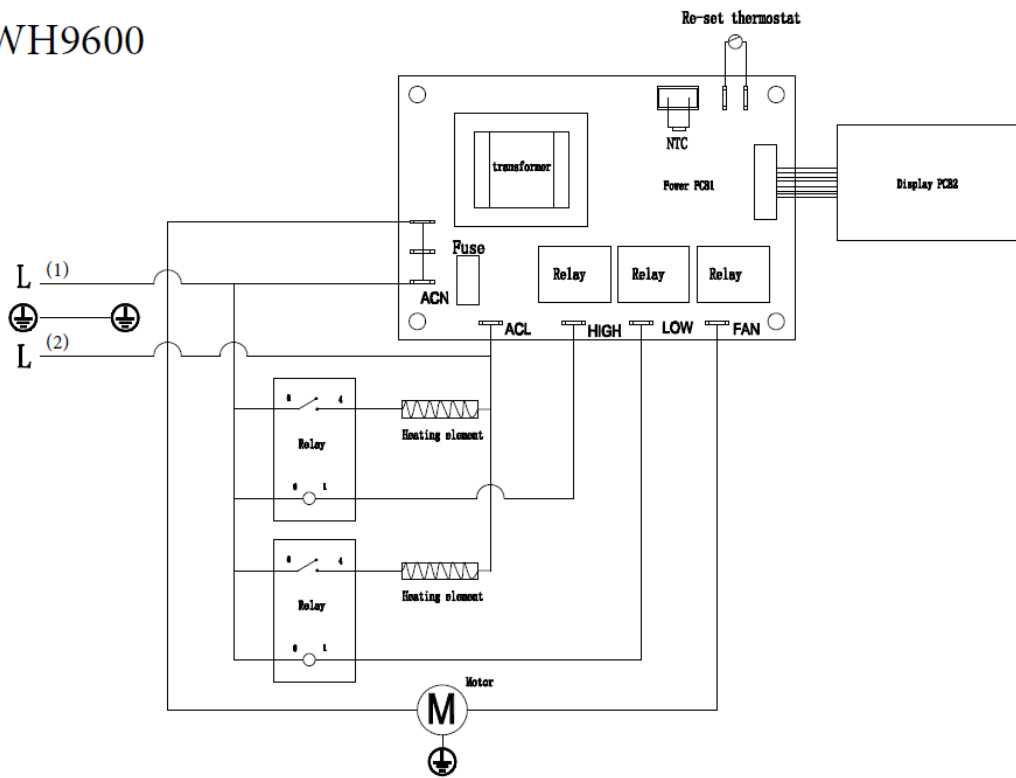
WIRING SUPPLEMENT FOR 220/240V

Wiring diagram for 5KW and 10KW

EWH5500



EWH9600



INSTRUCCIONES DE OPERACIÓN

Panel de control del calentador:



1. El calentador se debe instalar y cablear correctamente antes de ponerlo en funcionamiento.
2. Active la alimentación hacia el calentador en el panel del interruptor principal.
3. Cuando el calentador reciba corriente, se encenderá la luz roja "POWER".
4. Al presionar el botón rojo de ENCENDIDO, se encenderá y apagará el calentador. Cuando se presiona este botón, el calentador y el ventilador se encenderán de inmediato y la pantalla digital parpadeará aproximadamente 5 segundos.
 - a. El calentador seguirá funcionando hasta que la temperatura ambiente alcance los 65 °F. Luego, se encenderá y apagará para mantener aproximadamente esta temperatura ambiente.
 - b. Si la temperatura de la habitación es superior a 65 °F, la pantalla mostrará un 65 y parpadeará 5 veces. El calentador y el ventilador se detendrán.
5. **Ajuste del nivel de potencia:** Con la unidad encendida, presione una vez el botón verde. Esto activará el modo de selección de potencia y la luz roja ubicada sobre "Fan" ("Ventilador") o "Heat" ("Calor") parpadeará para mostrar la configuración actual. Use las flechas para cambiar de "Calor" a "Ventilador" o viceversa. Después de aproximadamente 5 segundos, el control se programará para la salida seleccionada. (Para el modelo EWH5500)

Ajuste del nivel de potencia: Con la unidad encendida, presione una vez el botón verde. Esto activará el modo de selección de potencia y la luz roja ubicada sobre "L" o "H" parpadeará para mostrar la configuración actual. Use las flechas para cambiar de "H" ("Alta") a "L" ("Baja") o viceversa. Después de aproximadamente 5 segundos, el control se programará para la salida seleccionada. **Nota: Para ahorrar energía, el calentador ajustará automáticamente la potencia de salida a "Baja" cuando la temperatura ambiente esté 2 °F por debajo de la temperatura de consigna.** (Para el modelo EWH9600)
6. **Ajuste de la temperatura:** Con el calentador encendido, presione dos veces el botón verde. Esto activará el modo de selección de temperatura y la pantalla digital parpadeará con la configuración actual. Para ajustarla, use el botón "UP" ("ARRIBA") o "DOWN" ("ABAJO") hasta que aparezca la temperatura deseada en la pantalla. Después de 5 segundos, la pantalla volverá a mostrar la temperatura ambiente.
7. **Ajuste del temporizador:** Nota: Si esta función no está seleccionada, el calentador seguirá funcionando para mantener la temperatura deseada. Esta característica permite que el calentador funcione solo por un tiempo predeterminado. Con el calentador encendido, presione el botón verde tres veces. Esto activará el modo "temporizador" y la pantalla parpadeará con un "0H". Al presionar las flechas, la pantalla mostrará la cantidad de horas que el temporizador permitirá que el calentador esté encendido (1H-9H donde 1H = 1 hora y 9H = 9 horas). Después de 5 segundos, el controlador fijará el ajuste.
8. **Una vez que se haya programado el controlador, el calentador se encenderá y apagará para mantener la temperatura ambiente deseada. Para prolongar la vida útil del calentador, una vez que se haya alcanzado la temperatura deseada y el controlador haya apagado el elemento térmico, el ventilador seguirá funcionando durante aproximadamente 3 minutos para enfriar el calentador. Esto mismo sucede cuando se presiona el botón POWER del calentador para apagarlo mientras está calentando. El ventilador seguirá funcionando para enfriar el calentador.**
9. **Para apagar el calentador, presione el botón rojo de encendido. Si el calentador está funcionando, se apagará, pero el ventilador seguirá funcionando durante aproximadamente 3 minutos para permitir que el calentador se enfríe.**

INSTRUCCIONES DE OPERACIÓN

NOTA: La primera vez que opere la unidad, puede despedir un poco de humo. Esto se debe a los agentes de limpieza residuales que se utilizan para limpiar el elemento cuando se fabrica el calentador. Esto es normal y no indica ningún problema con la unidad. Esta condición desaparecerá una vez que el calentador haya estado en funcionamiento durante unos minutos.

Protección térmica automática: Este calentador está equipado con una protección térmica que apagará automáticamente el calentador en caso de sobrecalentamiento. Si la protección térmica se activa, se activará una ALARMA. La alarma emitirá un pitido, la pantalla mostrará "E3" y la luz roja de encendido parpadeará. Se debe determinar la causa del sobrecalentamiento antes de volver a poner en funcionamiento la unidad. A medida que el calentador se enfríe, la protección térmica se restablecerá automáticamente y la pantalla mostrará "E3" para indicar que el calentador no está funcionando. Para que el calentador regrese al modo de funcionamiento, el usuario deberá presionar el botón de encendido en el control remoto o el calentador después de permitir que la unidad se enfríe durante 15-20 minutos. El usuario debe restablecer el control a la potencia de salida y temperatura ambiente deseadas. No siga usando el calentador si se sobrecalienta reiteradamente y activa la protección térmica, ya que podría ocasionar daños permanentes a la unidad o un incendio.

Retardo automático del ventilador: El calentador cuenta con un retardo de apagado automático del ventilador. Cuando la temperatura ambiente alcance el nivel de temperatura preestablecido en el calentador, el control desconectará el elemento térmico y el ventilador seguirá funcionando durante aproximadamente 3 minutos para permitir que el calentador se enfríe.

MANTENIMIENTO

INSTRUCCIONES PARA UNA LIMPIEZA REALIZADA POR EL USUARIO:

1. Desactive la alimentación del calentador.
2. Una vez que el calentador se haya enfriado, se puede usar una aspiradora con cepillo para quitar el polvo y la pelusa de las superficies exteriores del calentador, incluyendo la abertura de la rejilla. También se puede usar aire comprimido para soplar el polvo del interior del calentador.
3. Con un paño húmedo, limpie el polvo y la pelusa de la rejilla y las superficies exteriores. No permita que entre agua dentro del aparato.
4. Para proteger la carcasa, no salpique agua sobre el calentador y nunca use solventes para limpiarlo.
5. Vuelva a activar la alimentación del calentador y verifique que esté funcionando correctamente.

Instrucciones para una limpieza de mantenimiento: (Esto debe ser realizado solo por personal calificado)

Al menos una vez al año, una persona calificada debe limpiar y revisar el calentador para garantizar un funcionamiento seguro y eficiente. Después de completar la limpieza y la revisión, se debe comprobar el funcionamiento del calentador.

El control remoto es alimentado por 2 pilas AAA. Estas deben ser reemplazadas periódicamente o al menos una vez al año.

SOLUCIÓN DE PROBLEMAS Y GARANTÍA

PROBLEMA	CAUSA	SOLUCIÓN
El ventilador permanece encendido cuando el calentador se apaga.	1. El ventilador retarda su apagado hasta que los elementos se enfrían	1. El calentador está funcionando correctamente.
El elemento térmico no se pone rojo	1. El elemento térmico está hecho de acero inoxidable y no se pone rojo para producir calor.	1. El calentador está funcionando correctamente.
No se siente calor ni flujo de aire	1. El calentador no recibe corriente 2. Se alcanzó la temperatura ambiente deseada. 3. El calentador no calienta el área que tiene al frente, sino que dispersa el calor en toda la habitación y calienta todo el espacio.	1. Verifique las conexiones de alimentación / conecte el calentador a la fuente de alimentación El termostato se apagará una vez que se alcance la temperatura ambiente deseada. El calentador está funcionando correctamente. 1. El calentador está funcionando correctamente.

GARANTIA ELECTRICA PORTATIL de CALENTADORA

La GARANTIA LIMITADA:

Una garantía limitada es extendida al comprador original de esta calentadora y autorizaciones contra falla debido a defectos industriales por un período de (1) un año de la fecha de la compra de la venta al por menor. Lea por favor y siga todos los detalles notados abajo.

Los RECLAMOS MANEJARON DE LA SIGUIENTE MANERA:

- No REGRESA a COLOCAR DE la COMPRA
- Contacta nuestro Departamento de Servicio de Costomer en 1-800-776-9425. Debe tener el número modelo, el número de serie y la fecha de la compra.
- Le proporcionarán con instuictions adicional, que puede repuestos de include, la reparación o el reemplazo en nuestra opción.

LLAME 1-800-776-9425 PARA el SERVICIO (9AM-5PM Lunes-Viernes)
PEMAIL EEUU EN info@worldmktng.com

Los DEBERES DEL PROPIETARIO:

Este aparato de la calefacción debe ser operado de acuerdo con las instrucciones escritos amuebladas con esta calentadora. Esta garantía no dispensará al propietario de mantener apropiadamente esta calentadora de acuerdo con las instrucciones escritos amueblados con esta calentadora. Una escritura de venta, registro de cheque pagado o pago debe ser mantenido para verificar la compra la fecha y establecer el período de garantía. El cartón original debe ser mantenido en caso del regreso de garantía de la unidad.

SOLUCIÓN DE PROBLEMAS Y GARANTÍA

LO QUE no ES CUBIERTO:

1. El daño causado por maltrato o utiliza al contrario del manual de propietarios y pautas de seguridad.
2. El daño causado por una falta de mantenimiento normal.
3. Repare por una persona no autorizada.
4. El daño causado por conexión a un voltaje impropio.
5. Dañado causado por el uso fuera.

Las LIMITACIONES:

Esta garantía no implica ni asume responsabilidad para daños consecuentes que pueden resultar del uso, del maltrato, o de la falta de mantenimiento rutinario de este aparato de la calefacción. Un honorario de limpieza y el costo de partes pueden ser cargados para fracasos de aparato que resultan de la falta de mantenimiento. Esta garantía no cubre reclamos, que no implican habilidad ni materiales defectuosos. El INCUMPLIMIENTO MANTENIMIENTO GENERAL (INCLUSIVE LIMPIEZA) VACIARA ESTA GARANTIA.

ESTA GARANTIA LIMITADA ES DADA AL COMPRADOR EN VEZ DE TODAS LAS OTRAS GARANTIAS, EXPRESADO O IMPLICITO, INCLUSIVE PERO no LIMITADO A LAS GARANTIAS DE COMERCIALIZACION DE la SALUD PARA UN PROPOSITO PARTICULAR. EL REMEDIO PROPORCIONADO EN ESTA GARANTIA ES EXCLUSIVO Y GRANT EN VEZ DE TODOS LOS OTROS REMEDIOS. EN ningún ACONTECIMIENTO HACE MARKETING de MUNDO DE AMERICA ES RESPONSABLE DE el CASUAL O DAÑOS CONSECUENTES.

Algunos estados no permiten limitaciones en cuánto tiempo una garantía implícita dura, así que la limitación antes mencionada no le puede aplicar. Algunos estados no permiten la exclusión ni la limitación de daños casuales ni consecuentes tan que la limitación ni exclusión antes mencionadas no le pueden aplicar.

**Para su registro, cosa con una grapa su recibo de ventas a este manual y registra lo
Siguiente:**

La FECHA DE la COMPRA: _____

EI LUGAR DE la COMPRA: _____

EI NUMERO DE SERIE: _____



EWH5500 / EWH9600 Chauffage électrique Garage & Utility

Manuel du propriétaire

ATTENTION: LE NON-RESPECT DES INFORMATIONS CONTENUES DANS CE MANUEL PEUT RÉVALTER EN UN INCENDIE CAUSANT DES DOMMAGES MATÉRIELS, DES LÉSIONS CORPORELLES OU LA PERTE DE VIES.



Intertek

Made in China

Comfort Home Products, Inc.
12256 William Penn Hwy, Ste A
Huntingdon, PA 16652

DURA HEAT PHONE NUMBER: (800) 776-9425
<http://www.worldmktng.com>

POUR VOTRE SÉCURITÉ NE PAS STOCKER OU UTILISER DE L'ESSENCE OU AUTRES VAPEURS INFLAMMABLES OU LIQUIDES À PROXIMITÉ DE CET OU TOUT AUTRE APPAREIL

Cet appareil de chauffage doit être installé par des personnes qualifiées conformément au code national de l'électricité (le Code canadien de l'électricité) et à tous les codes locaux applicables. Le câblage d'alimentation doit être en cuivre et il doit convenir à une chaleur d'au moins 75 °C.

EWH5500- minimum 10 gauge SJO or SJTO copper type wiring required

EWH9600- minimum 6 gauge SJO or SJTO copper type wiring required.



AVERTISSEMENT POUR LES RÉSIDENTS DE LA CALIFORNIE UNIQUEMENT :

ce produit contient des produits chimiques dont le di(2-ethylhexyl)phtalate (DEHP) qui est reconnu dans l'état de la Californie pour causer le cancer et des anomalies de reproduction. Pour de plus amples renseignements, allez à : www.P65Warnings.ca.gov

UL 2021. FIXED AND LOCATION –DEDICATED ELECTRIC ROOM HEATERS

DO NOT DISCARD THIS MANUAL

CUSTOMER: PLEASE RETAIN THIS MANUAL FOR FUTURE USE

INSTRUCTIONS IMPORTANTES

VEUILLEZ LIRE ET CONSERVER CES INSTRUCTIONS DE SÉCURITÉ IMPORTANTES

LORSQUE VOUS UTILISEZ DES APPAREILS ÉLECTRIQUES, DES PRÉCAUTIONS DE BASE DOIVENT TOUJOURS ÊTRE OBSERVÉES AFIN DE RÉDUIRE LES RISQUES DE FEU, DE DÉCHARGE ÉLECTRIQUE ET LES BLESSURES, Y COMPRIS CE QUI SUIT :

1. Veuillez lire toutes les instructions avant d'utiliser cet appareil de chauffage.
 2. Cet appareil de chauffage est chaud lorsqu'il fonctionne. Pour éviter des brûlures, ne mettez pas la peau nue en contact avec les surfaces chaudes. Si des poignées sont fournies, utilisez-les lorsque vous déplacez cet appareil de chauffage. Gardez les matériaux combustibles, comme les meubles, les oreillers, les draps, les papiers, les vêtements et les rideaux à au moins 3 pieds (0,9 m) à l'écart de l'appareil de chauffage.
 3. Faites extrêmement attention lorsque l'appareil de chauffage est utilisé par ou près d'un enfant, près d'un animal ou d'une personne invalide et soyez très prudent, en tout temps, lorsqu'il fonctionne sans surveillance.
 4. Ne faites pas fonctionner cet appareil de chauffage si le cordon ou la fiche est endommagé, après un mauvais fonctionnement, une chute, ou s'il a été endommagé de quelque manière que ce soit. Déconnectez l'alimentation au niveau du panneau électrique et faites inspecter et/ou réparer l'appareil par un technicien qualifié.
 5. Ne l'utilisez pas à l'extérieur
 6. Cet appareil ne doit être modifié en aucun cas. Les pièces qui doivent être enlevées pour l'entretien doivent être replacées avant de faire fonctionner l'appareil à nouveau.
 7. Cet appareil de chauffage est conçu pour un chauffage de confort. Il n'est pas conçu pour une utilisation dans des environnements spéciaux. Ne l'utilisez pas dans des endroits humides ou mouillés comme des embarcations marines ou des serres ni dans des endroits où se trouvent des produits corrosifs ou chimiques.
 8. Pour débrancher cet appareil de chauffage, placez d'abord le bouton à OFF puis éteignez le disjoncteur principal de l'appareil de chauffage dans le panneau électrique.
 9. Ne pas insérer ou laisser des objets étrangers pénétrer dans toute ouverture de ventilation ou d'échappement, car cela pourrait causer une décharge électrique, un feu ou endommager l'appareil.
 10. Pour éviter les risques de feu, ne bloquez pas les prises et les sorties d'air de quelque manière que ce soit. N'utilisez pas des surfaces molles, comme un lit, car les ouvertures pourraient se bloquer.
 11. Cet appareil possède des pièces chaudes pouvant produire des arcs électriques ou des étincelles. Ne l'utilisez pas dans des endroits où de l'essence, de la peinture ou des liquides inflammables sont utilisés ou rangés.
 12. Utilisez cet appareil de chauffage uniquement comme indiqué dans ce manuel. Toute autre utilisation non recommandée par le fabricant peut causer un incendie, une décharge électrique ou des blessures.
 13. Cet appareil de chauffage ne doit pas être utilisé comme un appareil portable ou avec un cordon et une fiche (INSTALLATION PERMANENTE UNIQUEMENT)
 14. Cet appareil de chauffage possède une fonction de limite thermique à réinitialisation automatique et d'une alarme pour alerter l'utilisateur en cas de surchauffe. Si l'alarme est déclenchée, éteignez immédiatement l'appareil et inspectez-le. Enlevez tout objet près de l'appareil qui pourrait avoir bloqué le flux d'air ou causé la surchauffe. Cessez d'utiliser l'appareil de chauffage s'il surchauffe à plusieurs reprises et qu'il déclenche l'alarme. **NE FAITES PAS FONCTIONNER L'APPAREIL DE CHAUFFAGE LORSQUE L'ALARME SONNE (CLIGNOTE).**
- AVERTISSEMENT :** lorsque l'appareil a été désactivé en raison de l'atteinte de la limite thermique, il ne fonctionnera pas jusqu'à ce que l'utilisateur le rallume et le reprogramme. Par conséquent, cet appareil n'est pas recommandé pour des utilisations contre le gel.
15. Lors de l'installation, veuillez lire les **INSTRUCTIONS D'INSTALLATIONS** pour obtenir des avertissements et des mises en garde supplémentaires.
 16. Pour un fonctionnement sécuritaire et efficace et pour prolonger la durée de vie de l'appareil, gardez-le propre. Voir les **INSTRUCTIONS D'ENTRETIEN**.

SAUVEGARDEZ CES INSTRUCTIONS

SPÉCIFICATIONS (pour toutes les spécifications : tolérance de -5%/-10%)

Model No	Volts/Hertz	Amps	Watts	BTU/HR	Phase	Circuit minimum
EWH5500	240V/60HZ	21	5000	17060	1	30
EWH9600	240V/60HZ	42	10000	34120	1	50



Pour éviter les risques de feu, de blessures ou de dommages à l'appareil de chauffage, respectez ce qui suit :

1. Déconnectez toute alimentation électrique à partir du panneau électrique principal avant le câblage ou l'entretien.
2. Toutes les procédures de câblage ou les raccordements doivent être conformes aux codes nationaux et locaux compétents et l'appareil de chauffage doit être mis à la terre.
3. Assurez-vous que la tension du courant qui alimente l'appareil de chauffage corresponde aux valeurs indiquées sur la plaque signalétique de l'appareil.

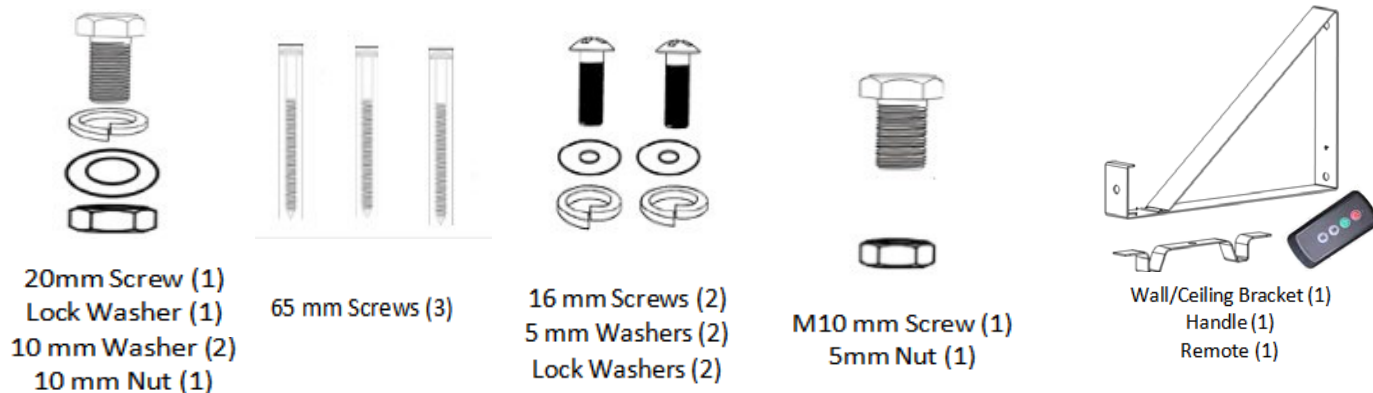
AVERTISSEMENT : UN APPAREIL DE CHAUFFAGE QUI FONCTIONNE À UNE TENSION SUPÉRIEURE À LA TENSION INDIQUÉE SUR LA PLAQUE SIGNALÉTIQUE ENDOMMAGERA L'APPAREIL, ANNULERA LA GARANTIE ET IL POURRAIT CAUSER UN FEU.

4. AVERTISSEMENT : température élevée, risque d'incendie, gardez les cordons électriques, les rideaux, les meubles et les autres objets combustibles à l'écart d'au moins 3 pieds (0,9 m) de l'avant de l'appareil. N'installez pas l'appareil de chauffage derrière une porte, sous un porte-serviette ou dans tout endroit où il pourrait être bloqué par un meuble, des rideaux ou du matériel d'entreposage. L'air chaud de l'appareil pourrait endommager certains tissus ou plastiques.
5. Pour réduire les risques de feu, ne rangez pas et n'utilisez pas d'essence ni des vapeurs ou liquides inflammables aux alentours de l'appareil de chauffage.
6. Lorsque l'appareil de chauffage doit être installé au mur ou au plafond, les ancrages doivent être suffisamment forts pour soutenir le poids total de l'appareil en plus du poids des matériaux d'installation. Le fait de ne pas installer solidement les éléments de support de la structure du bâtiment pourrait causer la chute de l'appareil.
7. Vous devez respecter ces espaces de dégagement minimum : 30° incliné, bas de l'appareil au plancher : 6 pi (1,8 m) minimums, 11 pi (3,3 m), écoulement d'air horizontal maximum recommandé, bas de l'appareil au plancher : 6 pi (1,8 m) minimums, 8 pi (2,4 m) maximum recommandés du côté de l'appareil de chauffage au mur adjacent : 6 po (13 mm).
8. N'utilisez pas cet appareil de chauffage comme appareil de séchage, car la peinture, le plâtre, la sciure et la poussière de ponçage endommageraient définitivement l'appareil et ces matières ne doivent pas pénétrer dans l'appareil.

Déballage de votre nouvel appareil de chauffage : retirez l'appareil de la boîte et sortez le sac des pièces. Inspectez l'appareil pour vous assurer qu'il n'est pas endommagé et vérifiez s'il n'y a pas des pièces manquantes. En cas de dommage ou de pièces manquantes, appelez notre service d'assistance technique au 1-800-776-9425 pour obtenir de l'aide. Ne retournez pas le produit au magasin où vous l'avez acheté avant de téléphoner au numéro ci-dessus pour obtenir de l'aide.

INSTRUCTIONS D'INSTALLATION

MATÉRIEL INCLUS : figure 1



OUTILS NÉCESSAIRES :

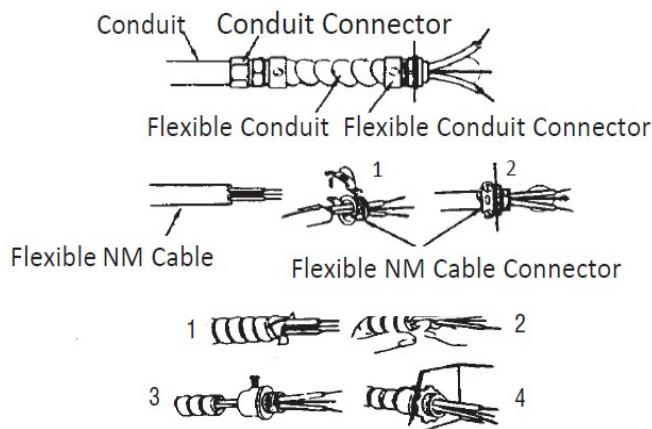
- Tournevis Phillips à tête cruciforme
- Perceuse électrique
- La télécommande est alimentée par 2 piles AAA. Les piles ne sont PAS incluses.
- Mèche de 5/32 po ou 4 mm
- Détecteur de colombage

MATÉRIEL NÉCESSAIRE POUR LE CÂBLAGE DE L'APPAREIL DE CHAUFFAGE :

- Calibre adéquat et longueur du fil de cuivre (2 conducteurs plus la terre) convenables pour l'installation du panneau électrique à l'appareil de chauffage
- Boîte de raccordement et connecteurs tels que requis pour l'installation
- Connecteurs de taille appropriée pour les câbles de circuit de dérivation de branchement jusqu'aux queues-de-cochon.
- Une longueur de conduit flexible (ou comme exigé par le Code national de l'électricité et les codes locaux) pour acheminer le courant au chauffage.

REMARQUE : le matériel fourni est conçu pour une installation dans une structure en bois uniquement. Si l'installation est faite dans un autre type d'installation, du matériel supplémentaire sera nécessaire pour obtenir une installation adéquate.

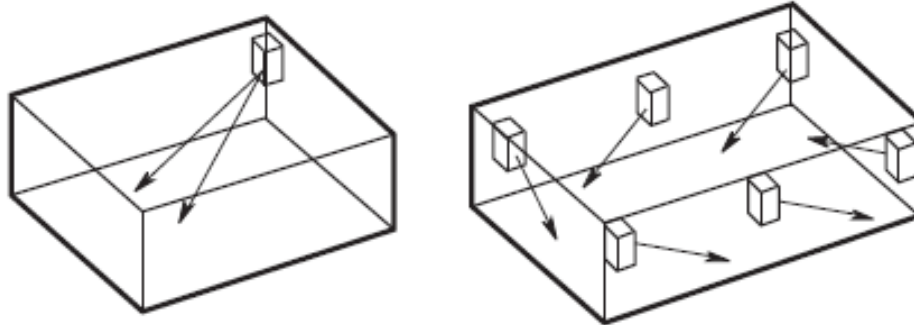
CONNECTEURS, CÂBLES ET MATÉRIEL UTILISÉS POUR CÂBLER L'APPAREIL DE CHAUFFAGE : figure 2



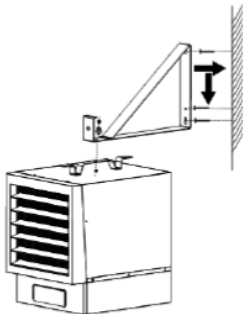
INSTRUCTIONS D'INSTALLATION

EMPLACEMENT DE L'APPAREIL DE CHAUFFAGE : figure 3

L'appareil de chauffage doit être installé hors des zones de circulation et au moins à 6 pi du plancher. (8 po au-dessus du plancher, pour le Canada) La direction du flux d'air ne doit pas être restreinte (c.-à-d. par des colonnes ou des machines) et le flux d'air doit balayer les parois exposées, plutôt que de souffler directement sur elles. Lorsque plus d'un appareil de chauffage est utilisé dans un endroit, ils doivent être disposés de manière à ce que l'évacuation de l'air de chaque appareil soutienne le flux d'air des autres pour assurer la meilleure circulation d'air chaud possible, comme indiqué dans la figure ci-dessous.

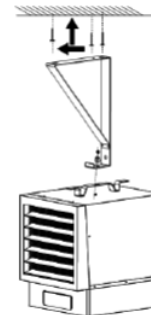


INSTALLATION : figure 4



INSTALLATION MURALE

figure 5



INSTALLATION AU PLAFOND

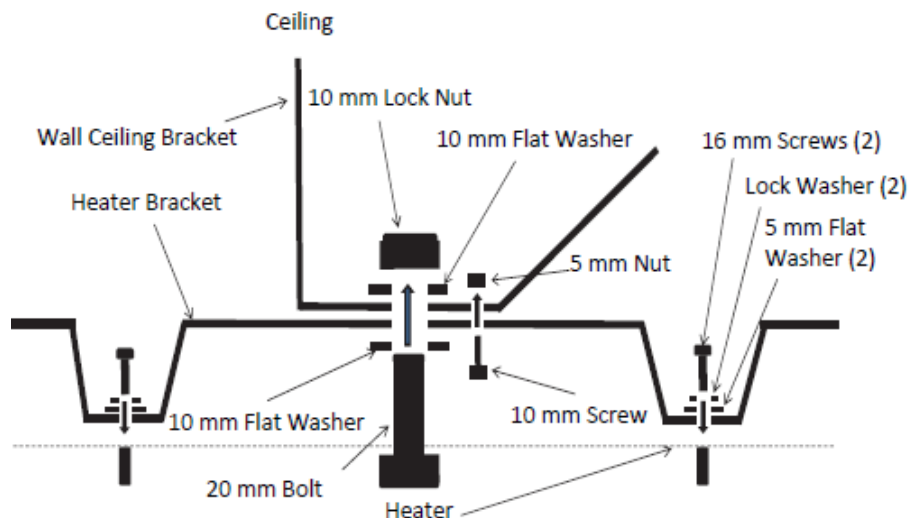
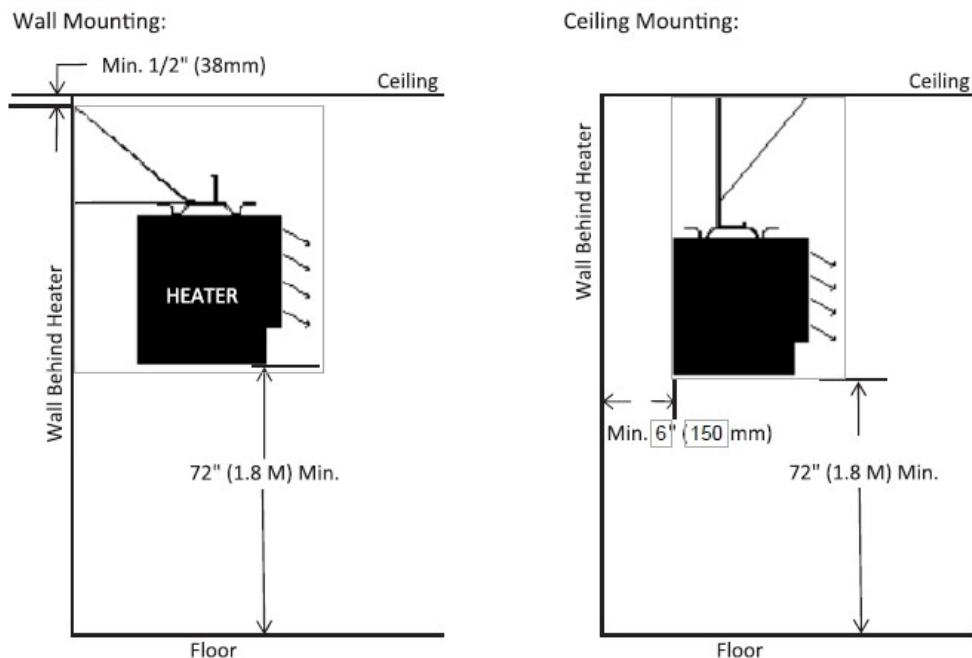


ILLUSTRATION DÉTAILLÉE DES SUPPORTS

INSTRUCTIONS D'INSTALLATION

DÉGAGEMENT MINIMUM : figure 6

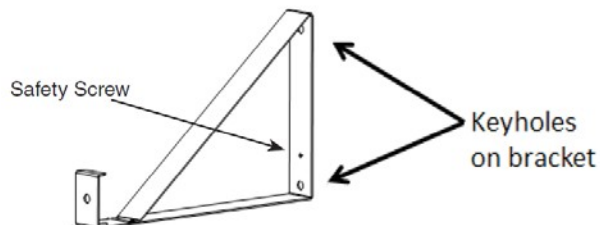


AVERTISSEMENT : risque de chute : l'appareil de chauffage doit être fixé à une solive avec 3 vis (deux aux fentes piriformes et la troisième vis de sécurité au trou central) pour empêcher l'appareil de tomber. Les vis fournies avec l'appareil de chauffage sont prévues pour l'installation dans une structure en bois uniquement et elles ne sont pas destinées à des solives métalliques ou à d'autres genres de construction. Si l'installation est faite dans un autre genre de construction, du matériel supplémentaire sera nécessaire pour faire une installation adéquate. Tout le matériel doit être serré solidement.

INSTALLATION DE L'APPAREIL DE CHAUFFAGE :

1. Repérez le montant en bois ou la solive et tracez une ligne à l'endroit où l'appareil de chauffage doit être installé. REMARQUE : le support mural ou au plafond permet l'installation sur un mur ou un plafond à l'aide des trous d'installation particuliers et en respectant les dégagements minimaux, comme illustré aux figures 4, 5, 6 et 7.
2. Déterminez l'emplacement d'installation souhaité, en veillant à ce que les dégagements minimaux comme indiqués dans ce manuel soient respectés puis en utilisant le support comme gabarit, marquez les deux emplacements piriformes sur le mur ou le plafond pour le perçage.

Figure 7



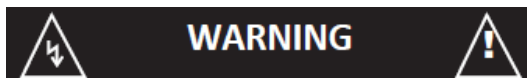
INSTRUCTIONS D'INSTALLATION

INSTALLATION DE L'APPAREIL DE CHAUFFAGE :

3. Utilisez la mèche de 5/32 (4 mm) pour prépercer les deux trous
4. Installez deux vis de 2,5 po (65 mm) dans les trous en laissant environ 1/8 po de la vis hors du mur. Assurez-vous que les deux vis soient insérées d'au moins 1,5 po dans le montant ou la solive.
5. Accrochez le support au mur (ou au plafond) en plaçant les trous piriformes sur le support par-dessus les deux vis et en poussant le tirant le support vers le bas. Marquez l'emplacement du trou central (3e de sécurité) sur le mur ou le plafond.
6. Utilisez la mèche de 5/32 po (4 mm) pour pré-percer le trou pour la 3e vis de sécurité.
7. Fixez le support de poignée de l'appareil de chauffage à l'aide des deux vis et des rondelles déjà assemblées sur le dessus de l'appareil en veillant à ce que le plus petit trou du support soit orienté vers l'arrière de l'appareil de chauffage... Enlevez les vis, puis fixez le support en veillant à ce que les deux vis soient serrées.
8. Fixez le support mural/plafonnier à l'appareil de chauffage à l'aide du plus grand boulon, celui de 20 mm (0,8 po), des deux rondelles plates et des écrous de blocage comme illustré à la Fig. 5. Pour éviter la rotation, un petit boulon et un écrou M10 mm, sont fournis dans le sac de pièces. Assemblez cette petite vis dans le petit trou à travers du support mural et du support de l'appareil de chauffage comme illustré à la Fig. 5. et serrez solidement les deux boulons.
9. Fixez l'appareil de chauffage et le support au mur ou au plafond.

AVERTISSEMENT : les fentes piriformes sont fournies pour aider à l'installation en soutenant temporairement l'appareil de chauffage jusqu'à ce que la troisième vis de sécurité soit installée dans le 3e trou du support. Le défaut d'installer la 3e vis de sécurité dans l'emplacement du trou central du support pourrait causer la chute de l'appareil de chauffage.

- a. Accrochez le support sur les deux vis (installées à l'étape 4) en ajustant l'appareil de chauffage et le support mural ou, pour installation au plafond, sur les deux vis par les fentes piriformes sur le support tout en poussant le support en place.
- b. Insérez la troisième vis de sécurité de 2,5 po (65 mm) dans le trou central du support et dans le trou prépercé (étape 6) dans le mur ou le plafond.
- c. Serrez les trois vis pour fixer le support et l'appareil de chauffage au mur.



Lorsque l'appareil de chauffage aura été correctement installé sur la structure du bâtiment et que le câblage du circuit de dérivation approprié aura été acheminé vers l'appareil de chauffage, conformément au Code national de l'électricité et aux codes locaux, il sera prêt à être connecté au circuit de dérivation.

Dangers de décharge électrique ou de feu

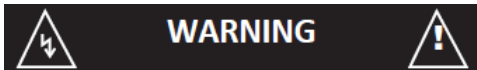
Assurez-vous que l'alimentation électrique soit coupée dans le panneau électrique principal avant de connecter l'appareil de chauffage au circuit de dérivation. Assurez-vous que la tension du circuit de dérivation soit la même que celle inscrite sur la plaque signalétique de l'appareil de chauffage. Connecter l'appareil de chauffage à une tension supérieure à la plaque signalétique pourrait endommager l'appareil et causer un feu.

WIRING SUPPLEMENT FOR 220/240V

Une fois que le chauffage a été correctement monté sur la structure du bâtiment et que le câblage approprié du circuit de dérivation a été acheminé à l'emplacement du chauffage conformément au Code national de l'électricité et aux codes locaux, le chauffage est maintenant prêt à être raccordé au circuit de dérivation.



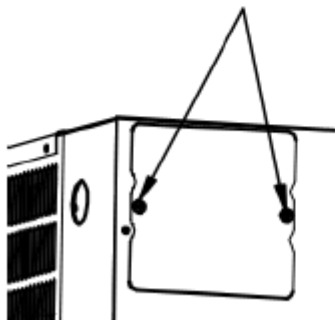
Risque de choc électrique ou d'incendie Assurez-vous que l'alimentation électrique est déconnectée du panneau électrique principal avant d'essayer de brancher le chauffage au circuit de dérivation. Vérifiez que la tension du circuit de dérivation est la même que celle indiquée sur la plaque signalétique de le chauffage. Connecter le chauffage à une tension supérieure à la tension nominale indiquée sur la plaque signalétique pourrait endommager l'appareil et provoquer un incendie.



Cet appareil doit être installé par des personnes qualifiées seulement et conformément au Code national de l'électricité (Code canadien de l'électricité au Canada) et à tous les codes locaux applicables. Le câblage d'alimentation doit être en cuivre et adapté à une température d'au moins 75 °C.

EWH5500 - Câblage en cuivre SJO ou SJTO de calibre 10 minimum requis
EWH9600 - Câblage en cuivre SJO ou SJTO de calibre 6 minimum requis

Couvercle de câblage situé au bas de l'appareil de chauffage



- Le réchauffeur est doté d'un trou de 28,3 mm dans le compartiment de câblage pour l'acheminement des conducteurs de circuit de dérivation. Des conduits et raccords appropriés doivent être fournis pour une installation correcte et sûre.
1. Retirez le couvercle de câblage sur site situé au bas de l'appareil de chauffage en retirant les deux vis. Voir la figure 8 pour référence.
 2. Amenez les conducteurs du circuit de dérivation à la résistance et dans le boîtier de la résistance. Installez le serre-câble approprié sur le radiateur, comme illustré à la figure 9.
 3. En suivant les schémas de câblage de la figure 10, connectez le câblage d'alimentation au bloc d'alimentation à l'intérieur du compartiment de câblage.
 - queue de cochon vert - se connecter à la terre
 - queue de cochon noir - connexion au circuit de dérivation L (1)
 - queue de cochon blanc - connexion au circuit de dérivation L (2)
 4. Remettez le couvercle de la boîte de câblage en place avec les deux vis retirées précédemment.
 5. Ajustez les persiennes à la position désirée. Les persiennes sont conçues de manière à ne pas pouvoir être complètement fermées. Ne tentez pas de neutraliser cette fonctionnalité de sécurité.

Figure 9: Installation du raccord de câble sur le radiateur



Installez un serre-câble ou un raccord approprié pour l'alimentation utilisée.

Introduisez le câble dans le raccord et serrez comme indiqué en laissant environ 2 po de câble à l'intérieur du chauffage pour le raccordement du câble.

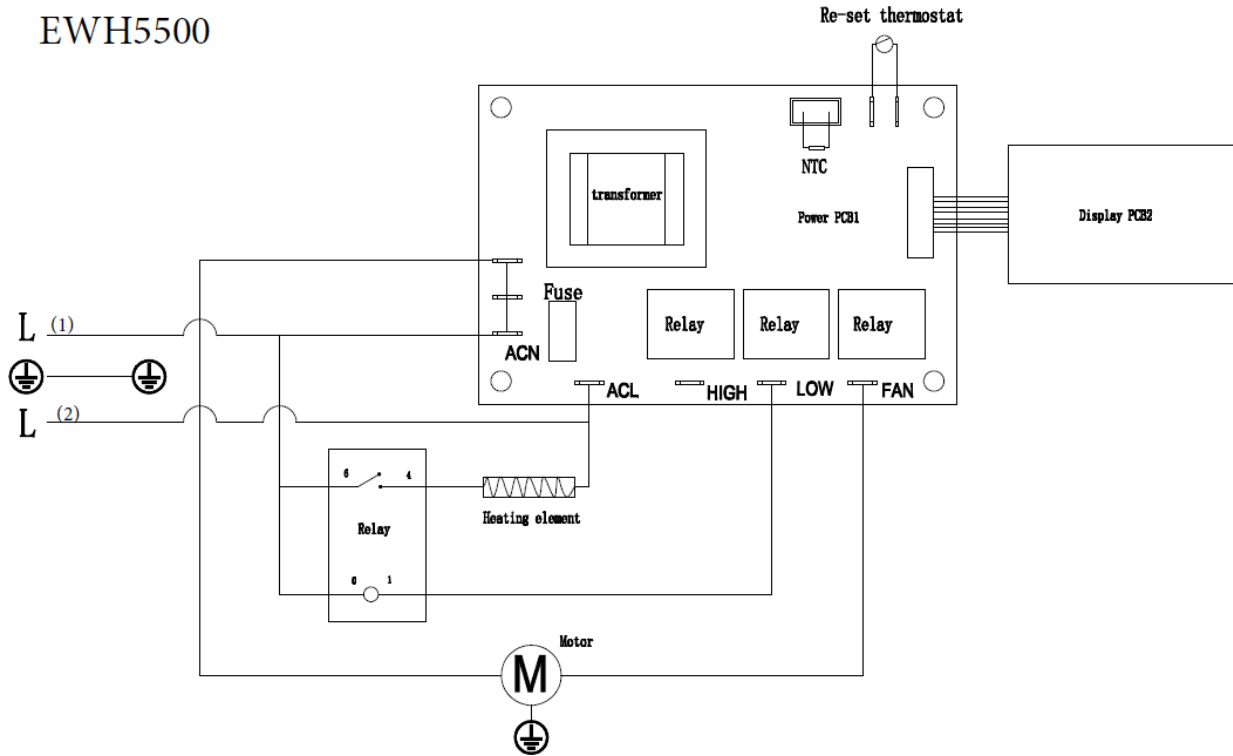
Figure 10 : En retirant le couvercle du câblage, on expose les fils ; lorsque le câblage est effectué avec un câble à 2 conducteurs avec mise à la terre, le fil blanc doit être marqué en noir.



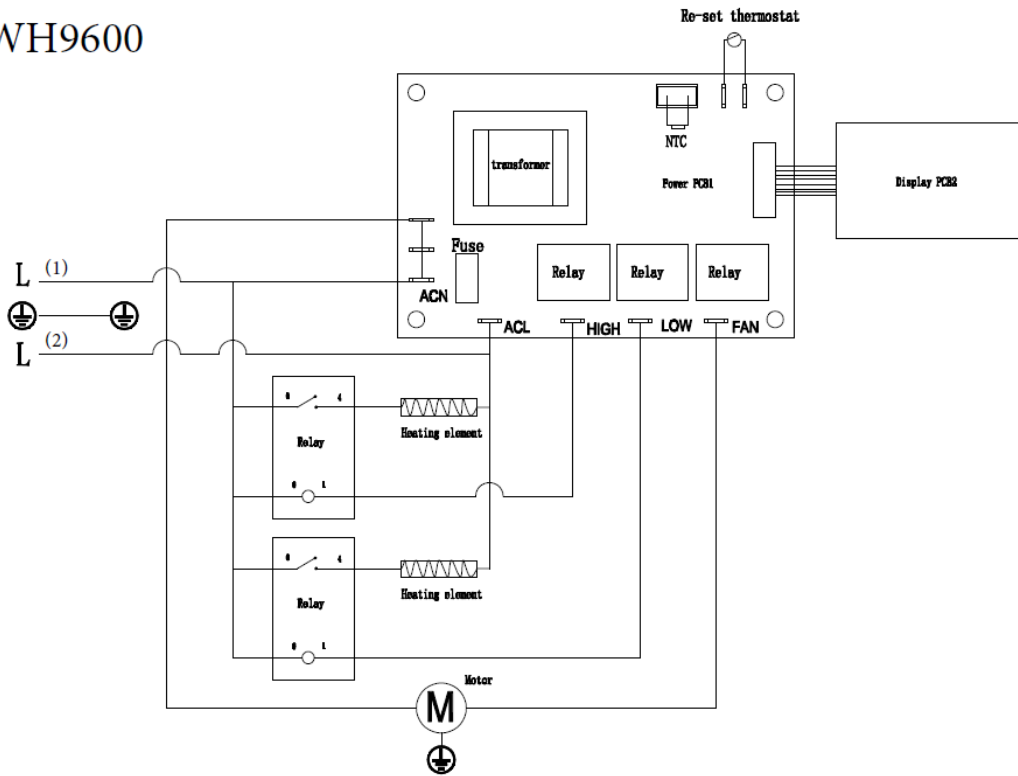
WIRING SUPPLEMENT FOR 220/240V

Wiring diagram for 5KW and 10KW

EWH5500



EWH9600



MODE D'EMPLOI

Panneau de commande de l'appareil de chauffage :



1. L'appareil de chauffage doit être correctement installé et câblé avant de le faire fonctionner.
2. Mettez le courant pour le chauffage à « ON » sur le panneau de l'interrupteur principal.
3. Une fois que l'appareil de chauffage est sous tension, le témoin rouge POWER (alimentation) sera allumé.
4. Appuyez sur le bouton rouge POWER pour allumer et éteindre l'appareil de chauffage. Lorsque ce bouton est enfoncé, l'appareil de chauffage et le ventilateur s'allumeront immédiatement et l'affichage numérique clignotera pendant environ 5 secondes.
 - a. Si la température ambiante est inférieure à 65 °F, l'appareil de chauffage continuera à fonctionner jusqu'à ce que la température ambiante atteigne 65 °F et il s'allumera et s'éteindra pour maintenir approximativement cette température ambiante.
 - b. Si la température ambiante est supérieure à 65 °F, l'écran affichera « 65 » et clignotera 5 fois, puis l'appareil de chauffage et le ventilateur s'arrêteront.
5. **Réglage de la puissance:** lorsque l'appareil est allumé, appuyez une fois sur le bouton vert Mode. Cela activera le mode de sélection de l'alimentation, et le témoin rouge sur « Ventilateur » ou « Chaleur » clignotera pour indiquer le réglage actuel. Pour passer de Ventilateur à Chaleur, utilisez les boutons avec la flèche Haut ou Bas. Après environ 5 secondes, l'appareil sera programmé selon votre sélection. (Pour le modèle EWH5500)

Adjusting Power Level: While the unit ON, push the green mode button once. This will activate the power selection mode and the red light over the "L" or "H" will be flashing to show the current setting. To change from High to Low or Low to High, use the UP or DOWN Arrow buttons. After approximately 5 seconds the control will then be programmed for the selected output. **Note: To save energy, the heater will automatically adjust the power output to low power when room temperature is 2°F below the set point temperature. (For model EWH9600)**
6. **Réglage de la température:** lorsque l'appareil de chauffage est allumé, appuyez deux fois sur le bouton vert Mode. Cela activera le mode de sélection de la température et l'écran numérique clignotera indiquant le réglage actuel. Pour le régler, utilisez le bouton souhaité s'affiche sur l'écran. Après secondes, l'afficheur indiquera la température ambiante.
7. **Fonction de réglage de la minuterie :** Remarque: si cette fonction n'est pas sélectionnée, l'appareil de chauffage continuera à fonctionner pour maintenir la température souhaitée. Cette fonction permet à l'appareil de chauffage de fonctionner pendant une durée prédéterminée. Lorsque l'appareil de chauffage est allumé, appuyez trois fois sur le bouton vert Mode. Cela activera le mode de la minuterie et l'affichage clignotera indiquant « 0H ». En appuyant sur les boutons avec la flèche Haut ou Bas, l'afficheur indiquera le nombre d'heures pendant lesquelles la minuterie permettra à l'appareil de chauffage de rester allumé (1H-9H; 1H = 1 heure, et 9H = 9 heures). Après 5 secondes, le régulateur mémorisera le réglage.
8. **Une fois que le régulateur a été programmé, l'appareil de chauffage s'allumera et s'éteindra pour maintenir la température ambiante souhaitée. Pour prolonger la durée de vie de l'appareil de chauffage, une fois qu'il a atteint la température souhaitée et que le régulateur a éteint l'élément chauffant, le ventilateur continuera à fonctionner pendant environ 3 minutes pour refroidir l'appareil. Cette fonction de temporisation du ventilateur se produit également lorsque le bouton d'alimentation de l'appareil de chauffage est appuyé pour éteindre l'appareil pendant qu'il chauffe. Le ventilateur continuera à fonctionner pour refroidir l'appareil de chauffage.**
9. **Pour éteindre l'appareil de chauffage, appuyez sur le bouton rouge POWER. Si l'appareil de chauffage fonctionne, il s'éteindra, mais le ventilateur continuera à fonctionner pendant environ 3 minutes pour laisser refroidir l'appareil.**

MODE D'EMPLOI

REMARQUE : la première fois que vous utilisez l'appareil de chauffage, il peut émettre une légère fumée. Ceci en raison des agents de nettoyage résiduels utilisés pour nettoyer l'élément lors de la fabrication de l'appareil de chauffage. Ceci est normal et n'indique pas un problème avec l'appareil. Cela cessera lorsque l'appareil aura fonctionné pendant quelques minutes.

Limite thermique automatique : cet appareil de chauffage est muni d'une fonction de limite thermique qui arrêtera automatiquement l'appareil en cas de surchauffe. Si la limite thermique s'active, une alarme sera déclenchée. L'alarme émettra un bip, l'écran affichera E3 et le témoin rouge POWER clignotera. La cause de la surchauffe doit être déterminée avant de faire fonctionner l'appareil à nouveau. Lorsque l'appareil refroidit, la limite thermique réinitialisera automatiquement l'écran qui affichera E3 indiquant que l'appareil de chauffage n'est pas opérationnel. Si l'unité surchauffe et déclenche la fonction de limite thermique, vous devrez appuyer sur le bouton d'alimentation sur la télécommande ou sur l'appareil de chauffage pour remettre l'appareil en mode de fonctionnement après qu'il aura refroidi pendant 15-20 minutes. Vous devrez réinitialiser la commande à la puissance et à la température de la pièce souhaitées. Cessez d'utiliser l'appareil s'il surchauffe à plusieurs reprises et enclenche le cycle de la fonction de limite thermique de sécurité, car cela pourrait endommager l'appareil et causer un feu.

Temporisation automatique du ventilateur : l'appareil de chauffage est muni d'une fonction de temporisation automatique de ventilation. Lorsque la température ambiante atteint la température préréglée, l'élément chauffant est désactivé pendant que le ventilateur continue à fonctionner pendant environ 3 minutes pour laisser refroidir l'appareil de chauffage

ENTRETIEN :

INSTRUCTION DE NETTOYAGE PAR L'UTILISATEUR :

1. Éteignez l'appareil de chauffage
2. Une fois l'appareil de chauffage refroidi, vous pouvez utiliser un aspirateur avec sa brosse pour enlever la poussière et les peluches des surfaces extérieures y compris l'ouverture de la grille. De l'air comprimé peut également être utilisé pour faire sortir la poussière qui se trouve à l'intérieur de l'appareil de chauffage.
3. À l'aide d'un chiffon humide, essuyez la poussière et les peluches de la grille et des surfaces extérieures. Veillez à ne pas laisser l'eau pénétrer à l'intérieur de l'appareil.
4. Pour protéger l'enceinte, n'éclaboussez pas d'eau sur l'appareil de chauffage et n'utilisez jamais de solvants pour le nettoyer.
5. Remettez le courant pour alimenter l'appareil de chauffage et assurez-vous qu'il fonctionne correctement.

Instructions de nettoyage et d'entretien :

(Doit être fait uniquement par un technicien qualifié)

Au moins une fois par an, l'appareil de chauffage doit être nettoyé et entretenu par un technicien qualifié pour assurer un fonctionnement sécuritaire et efficace. Après avoir terminé le nettoyage et l'entretien, l'appareil de chauffage doit être vérifié pour assurer son bon fonctionnement.

La télécommande est alimentée par 2 piles AAA. Elles doivent être remplacées de temps à autre ou au moins une fois par année.

DÉPANNAGE ET GARANTIE

PROBLÈME	CAUSE	SOLUTION
Le ventilateur reste allumé lorsque la chaleur s'éteint.	1. Le ventilateur effectue le cycle Allumer/éteindre jusqu'à ce que les éléments soient refroidis.	1. L'appareil de chauffage fonctionne correctement.
L'élément chauffant ne vient pas rouge.	1. L'élément chauffant est fabriqué en acier inoxydable alors il ne deviendra pas rouge pour produire de la chaleur.	1. L'appareil de chauffage fonctionne correctement.
On ne sent pas la chaleur ni le flux d'air	1. Il n'y a pas de courant au niveau de l'appareil de chauffage 2. La température ambiante souhaitée est atteinte. 3. L'appareil de chauffage ne chauffe pas la zone devant lui, il dispersera la chaleur dans toute la pièce et chauffera tout l'espace.	1. Vérifiez les connexions/connectez l'appareil de chauffage à l'alimentation électrique. 2. Le thermostat s'éteint une fois que la température ambiante souhaitée est atteinte. L'appareil de chauffage fonctionne correctement. 3. L'appareil de chauffage fonctionne correctement.

ELECTRIC garantie de l'appareil

GARANTIE LIMITÉE:

Une garantie limitée est remise à l'acheteur original de ce poêle et le couvre contre le dysfonctionnement lié aux défauts de fabrication pendant une période d'un (1) an à compter de la date d'achat du produit.

PROCÉDURE DE REVENDICATION:

- **NE PAS RENVOYER LE PRODUIT À L'ENDROIT D'ACHAT**
- Contactez notre Service Client au 1-800-776-9425. Se munir du numéro du modèle, du numéro de série et de la date d'achat.
- Ils vous fourniront de plus amples informations, concernant par exemple le remplacement de pièces, la réparation ou le remplacement du poêle si nécessaire.

APPELEZ LE 1-800-776-9425 (9h00-18h00 LUN.-VEN.)
ou ENVOYEZ UN EMAIL À info@worldmkting.com

DÉPANNAGE ET GARANTIE

DEVOIRS DU PROPRIÉTAIRE:

Cet appareil de chauffage doit fonctionner en accord avec les instructions fournies avec le poêle. Cette garantie ne doit pas dissuader le propriétaire d'un entretien correct du poêle en accord avec les instructions écrites fournies avec ce poêle. Une facture de paiement, un chèque annulé ou un reçu de paiement doivent être conservés afin de pouvoir vérifier la date d'achat et établir une période de garantie. Le carton original doit être conservé en cas de retour d'article dans le cadre de la garantie.

CE QUI N'EST PAS COUVERT:

1. Dommages causés par une mauvaise utilisation ou une utilisation contraire au manuel de l'utilisateur et aux consignes de sécurité.
2. Dommage causés par un manque d'entretien.
3. Réparation effectuée par une personne non-compétente.
4. Dommage causé par le branchement sur un mauvais voltage.
5. Dommage causé par une utilisation en extérieur.

RESTRICTIONS:

Cette garantie n'implique ni ne suppose aucune responsabilité pour les dommages collatéraux pouvant résulter de l'utilisation, de la mauvaise utilisation, ou du manque d'entretien régulier de cet appareil de chauffage. Un frais d'entretien ainsi que le coût des pièces peuvent être facturés pour les défauts de fonctionnement de l'appareil résultant du manque d'entretien. Cette garantie ne couvre pas les revendications, qui n'incluent pas une qualité de travail défectueuse ni les matériaux. LE REFUS D'ENTRETIEN GÉNÉRAL (NETTOYAGE INCLUS) ANNULERA LA GARANTIE.

CETTE GARANTIE LIMITÉE EST ACCORDÉE À L'ACHETEUR EN GUISE DE TOUTE AUTRE GARANTIE, EXPRIMÉE OU IMPLICITE, INCLUANT MAIS NON-LIMITÉES À LA GARANTIE DE CONFORMITÉ, D'UTILISATION, D'APTITUDE À UN USAGE PARTICULIER ET DE NON-CONTREFAÇON. LA SOLUTION FOURNIE PAR CETTE GARANTIE EST EXCLUSIVE ET EST CONFÉRÉE EN GUISE DE TOUT AUTRE SOLUTION. EN AUCUN CAS LE MONDE DU MARKETING D'AMÉRIQUE NE SERA RESPONSABLE DES DOMMAGES CIRCONSTANCIELS OU COLLATÉRAUX.

Certains états n'autorisent aucune limitation quant à la durée d'une garantie implicite. Dans ce cas, la limitation ci-dessus ne s'appliquera pas. Certains états n'autorisent pas l'exclusion ou la limitation de dommages circonstanciels ou collatéraux. Dans ce cas, l'exclusion ou la limitation ci-dessus ne s'appliquera pas.

Pour information, attachez vos recus d'achat à ce manuel et annotez les informations suivantes

DATE D'ACHAT: _____

LIEU D'ACHAT: _____

NUMÉRO DE SÉRIE: _____

NUMÉRO DU MODÈLE: _____